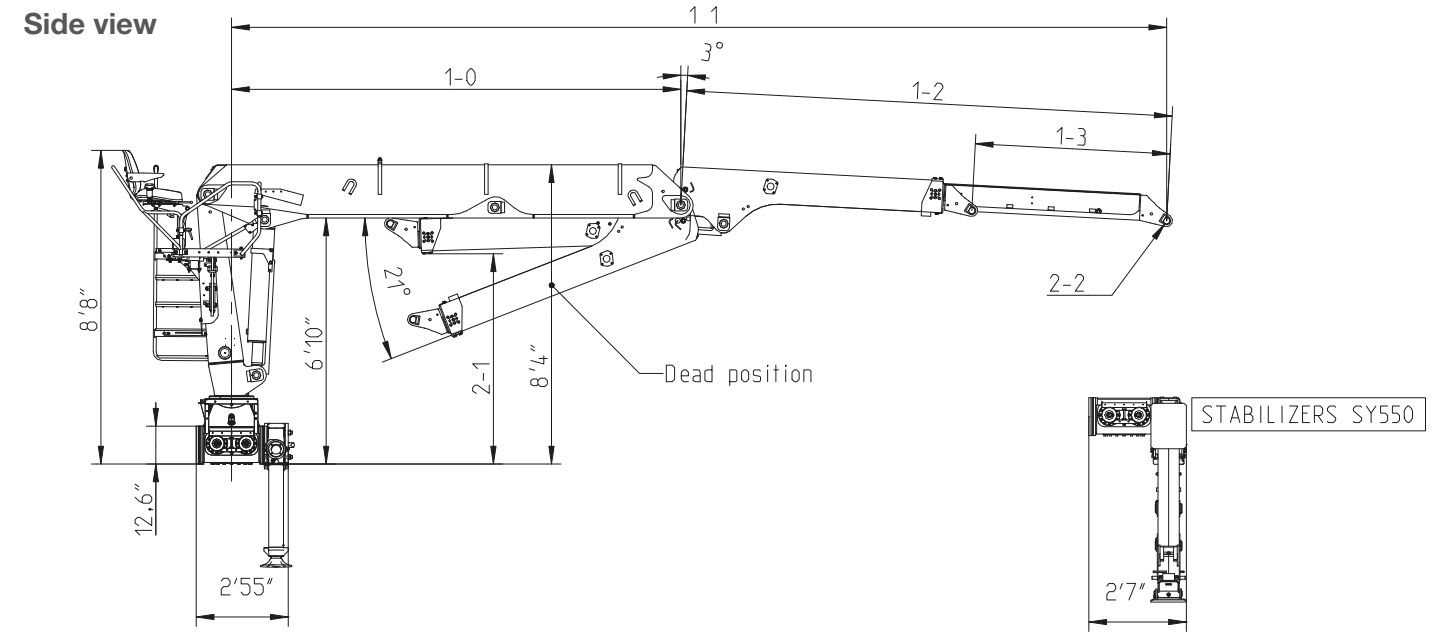


HIAB J24S BASIC DATA

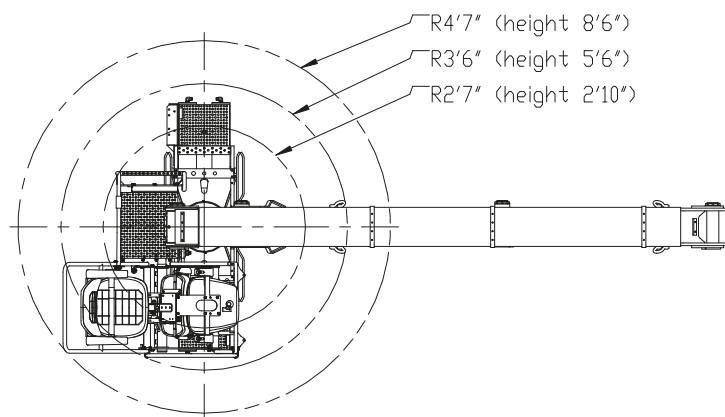
Technical data	J24S 79i		J24S 85i (46)		J24S 91i (46)		J24S 97i		J24S 107i		J24S 126i	
Max lifting capacity, net (lb-ft)	172590		170377		168164		163739		157101		148988	
Max outreach (ft-in)	25'11"		27'10"		29'10"		31'90"		35'12"		41'40"	
Number of extensions	1		1		1		1		1		1	
Outreach / Lifting capacity (ft-in;in/lbs)	10	15600	10	15950	10	15825	15	10500	15	10200	15	9500
	15	11150	15	10950	15	10550	20	8000	20	7650	20	7150
	20	8500	20	8300	20	8200	25	6400	25	6050	25	5800
	25'11"	6750	25	6650	25	6550	30	5300	30	5000	30	4850
	-	-	27'10"	5100	29'10"	4300	31'90"	4250	35'12"	4090	35	4100
	-	-	-	-	-	-	-	-	-	-	40	3500
	-	-	-	-	-	-	-	-	-	-	41'40"	3000
Slewing system	Rack and pinion: Double											
Slewing angle (°)	415											
Slewing torque, gross (lb-ft)	32453											
Max. working pressure (psi)	3844											
Recommended oil flow – fixed pump (gal/min), 2-pump	2 x 24											
Weight - High seat loader with standard stabilizer (lbs) *	6437		6548		6636		6768		7165		7209	
Weight - High seat loader with SY550 stabilizer *	6724		6834		6923		7033		7452		7496	

* Weight with fixed pump system, oil weight included

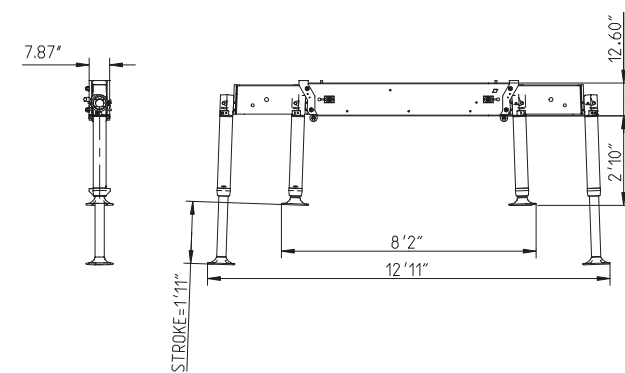


Model	1-0	1-1 min	1-1 max	1-2	1-3	2-1	2-2	HPL
79	12'6"	20'7"	25'11"	13'6"	5'5"	5'9"	Ø 1.57", B=7.24"	X
85 (4,0)	12'6"	22'6"	27'11"	15'5"	5'5"	5'7"	Ø 1.57", B=7.24"	X
85 (4,6)	14'5"	22'6"	27'11"	13'6"	5'5"	5'9"	Ø 1.57", B=7.24"	X
91 (4,6)	14'5"	24'6"	29'10"	15'5"	5'5"	5'7"	Ø 1.57", B=7.24"	X
97	16'5"	26'5"	31'10"	15'5"	5'5"	5'7"	Ø 1.57", B=7.24"	X
126	21'4"	35'11"	41'4"	20'	5'5"	5'7"	Ø 1.57", B=7.24"	X

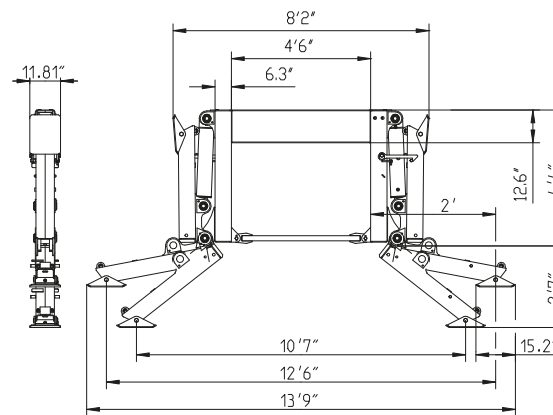
Slewing radius



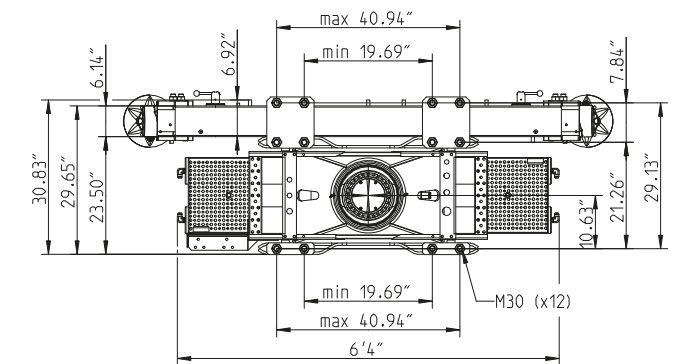
Stabilizers ET450



Stabilizers SY550



Base with stabilizers ET450



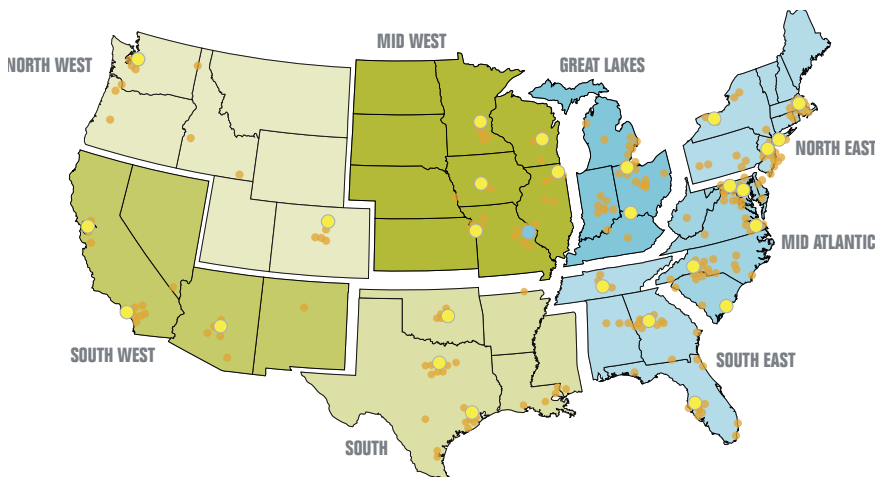
For more information, please visit us at www.hiab.com/en-US/HIAB



OUR COMMITMENT TO YOU

Hiab is the world's leading provider of on-road load handling equipment. Customer satisfaction is the first priority for us. Hiab's product range includes HIAB loader cranes, MOFFETT truck mounted forklifts, JONSERED recycling and forestry cranes, LOGLIFT forestry cranes, and MULTILIFT demountables, as well as DEL, WALTCO, and ZEPRO tail lifts. At Hiab USA, we have invested heavily in our nationwide service and support team as part of our commitment to our customers. Our network of Hiab USA branch locations and more than one hundred factory-trained mobile service technicians provide your HIAB loader with an unrivaled coast-to-coast service network. Wherever you are, we are.

HIAB USA LOCATIONS



Disclaimer. Hiab loaders have been built to meet the highest standards of safety and service life and have been thoroughly tested. Strength calculations for this model have been carried out in accordance with EN13001 in fatigue class S2. Cargotec's certified Quality Assurance System complies with ISO 9001. Some of the items in our literature may be extra equipment. Certain applications may require an official permit. We reserve the right to change technical specifications without prior notice. Hiab loaders produced for EU-countries are CE marked and comply with the European Standard EN12999.

Hiab USA Inc
12233 Williams Road
Perrysburg, OH 43551 USA
tel. +419 482 6000
fax. +419 482 6001
www.hiab.us.com

