

ZEPRO TAIL LIFT SPECIFICATION SHEET

VEHICLE DETAILS

Vehicle type

Truck

Panel Van

Trailer

Other

Manufacturer

Wheelbase (mm)

Model

Total length (mm)

Model Year

Gross vehicle weight (t)

Electrical system

12V

Suspension Type

Air Springs

Body details

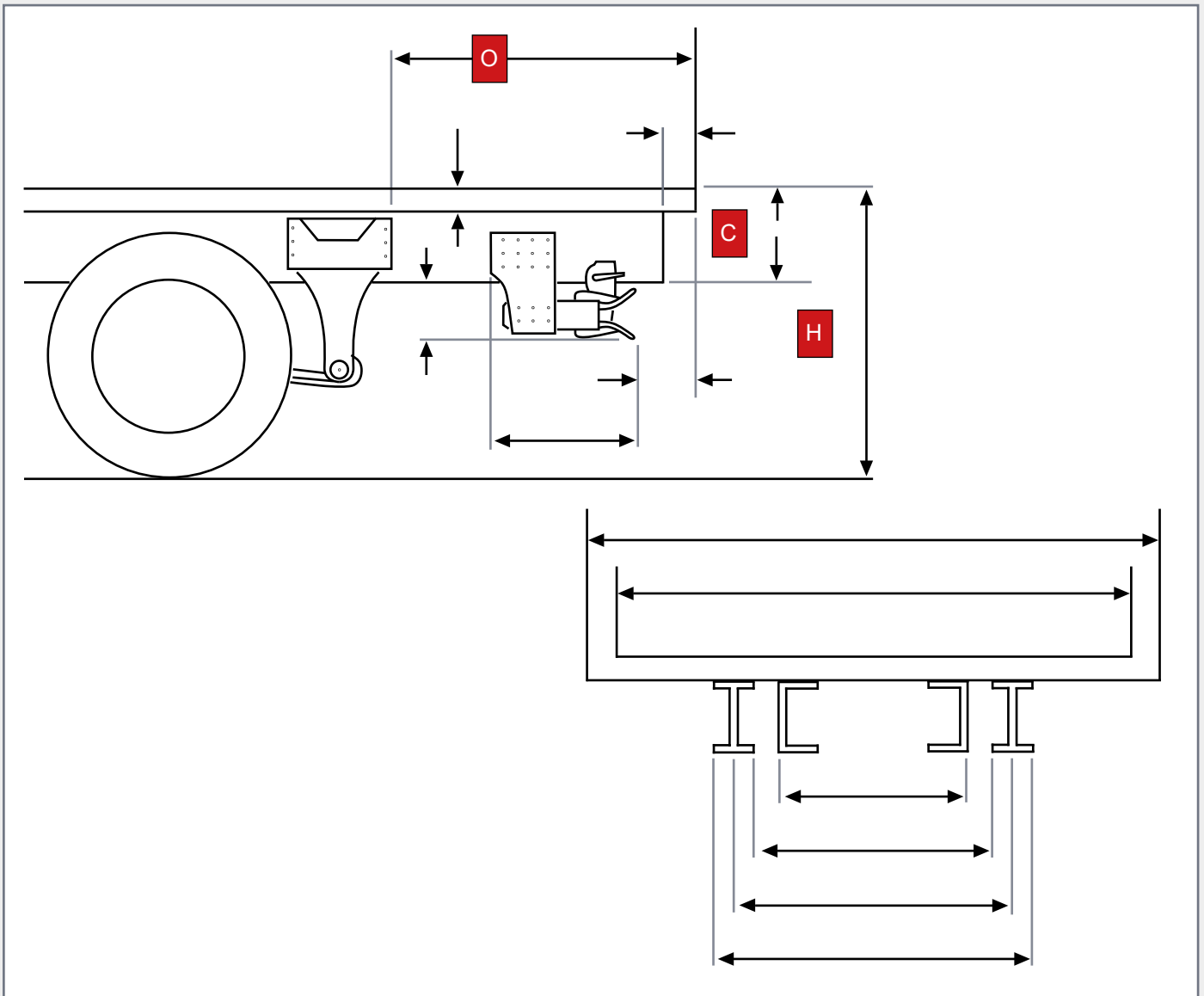
Rear doors

24V

Leaf Springs

Platform as rear door

Vehicle dimensions



TAIL-LIFT DETAILS

Type

Cantilever

Slider

Tuckaway

Half Lift

Options

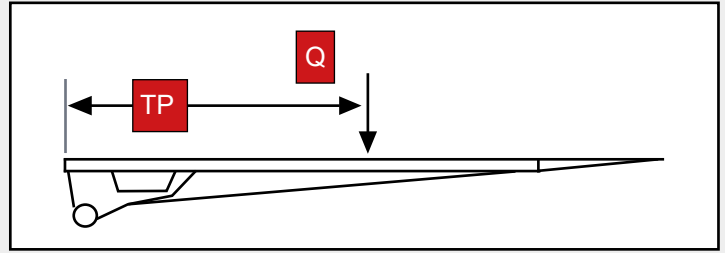
Autotilt

ADR EXII / III

PIEK

Radio

Capacity



Control Units

Fixed Outside

pcs.

Fixed Inside

Spiral Inside

Standard

CE Standard

Non CE Standard

Surface Treatment

Powder Paint Std. Colour

Powder Paint Custom Colour:
Min 5 pcs

Galvanized

PLATFORM DETAILS

Material

Steel

Aluminium

Surface treatment

Powder Paint Standard Colour

Powder Paint Custom Colour:
Min 5 pcs

PIEK on Tearplate Side

Spray Zink on Tear Plate Side

Spray Zink on Back Side

Options

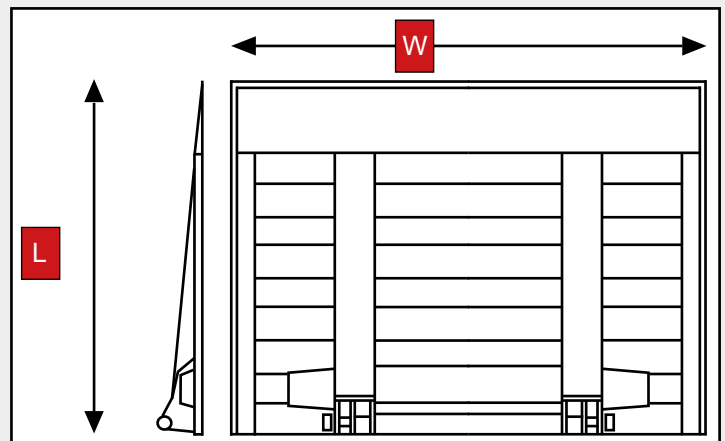
Mechanical Lock

Warning Light

Yellow Line 3 sides

Yellow Feet

Size



Roll Stops

No Roll Stops

Yes: 90 Degree,
(Steel or Alu)

Yes: 30 Degree
(Only Alu Platform)

YES: Bowls, layout:

