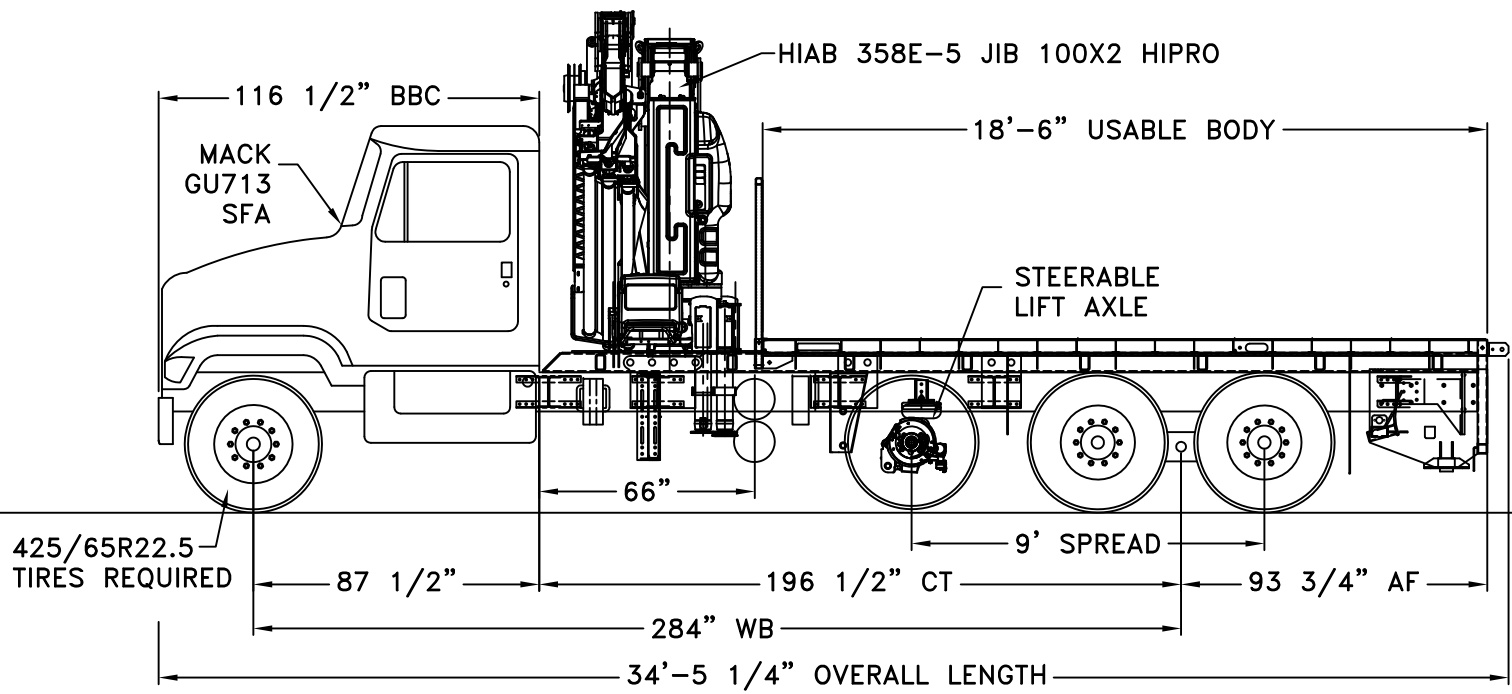


REV. PART NO. H3770A

CRANE MAY BE DERATED IN REAR QUADRANTS AS MUCH AS 25%. ACTUAL DERATING SHALL BE BASED ON PHYSICAL TESTING.



TRUCK, HIAB CRANE & ACCESSORIES WEIGHT DISTRIBUTION, NO PAYLOAD, LIFT AXLE UP.	
TOTAL WEIGHT ON FRONT AXLE	= 18,750 LBS.
TOTAL WEIGHT ON TANDEM AXLE	= 20,480 LBS.
FRONT AXLE WT. PERCENTAGE	= 48 %
TANDEM AXLE WT. PERCENTAGE	= 52 %
GROSS VEHICLE WEIGHT	= 39,230 LBS.

TRUCK, HIAB CRANE & ACCESSORIES WEIGHT DISTRIBUTION, WITH PAYLOAD, LIFT AXLE DOWN.	
TOTAL WEIGHT ON FRONT AXLE	= 17,510 LBS.
TOTAL WEIGHT ON LIFT AXLE	= 8,500 LBS.
TOTAL WEIGHT ON TANDEM AXLE	= 33,490 LBS.
FRONT AXLE WT. PERCENTAGE	= 30 %
LIFT AXLE WT. PERCENTAGE	= 14 %
TANDEM AXLE WT. PERCENTAGE	= 56 %
GROSS VEHICLE WEIGHT	= 59,500 LBS.
PAYLOAD EVENLY DISTRIBUTED	= 20,270 LBS.

TRUCK SPECIFICATIONS	
TRUCK MODEL	= MACK GU713
WHEELBASE	= 284"
CAB TO TANDEM	= 196 1/2"
AXLE-TO-FRAME	= 93 3/4"
FRONT AXLE CURB WEIGHT	= 10,200 LBS.
TANDEM AXLE CURB WEIGHT	= 8,700 LBS.
FRONT G.A.W.R.	= 20,000 LBS.
TANDEM G.A.W.R.	= 40,000 LBS.
YIELD STRENGTH OF EACH FRAME RAIL	MINIMUM SECTION MODULUS REQUIRED
120,000 P.S.I. YIELD	= 32.70 in. ³
MINIMUM RBM/RAIL OF 3,924,000 IN-LBS	

NOTES:
 DOUBLE FRAME CHASSIS REQUIRED.
 FRAME RAIL MINIMUM OF 32.7 SECTION MODULUS REQUIRED.
 FULL LENGTH SUB-FRAME REQUIRED:
 6" x 4" x 3/8" RECT. TUBING (ON TOP OF FRAME RAIL)
 5" x 3" x 3/8" RECT. TUBING (CROSSMEMBERS EVERY 3 FT.)
 FLATBED, LIFT AXLE & CURB WEIGHTS ARE ESTIMATED.
 MOFFETT MUST BE REMOVED FROM KIT WHEN LIFTING OVER THE REAR.

TRUCK RUNS IN US (RULES FOR MOST STATES).
 20,000 LBS. ALLOWED ON FRONT AXLE.
 34,000 LBS. ALLOWED ON TANDEM.
 42,500 LBS. ALLOWED ON 3 AXLE GROUP (9').
 59,500 LBS. ALLOWED FOR GROSS WEIGHT (26').
 ALLOWABLE LEGAL OVERALL LENGTH IS 40'.

NOTICE:
 THIS WEIGHT DISTRIBUTION IS BASED ON ESTIMATED WEIGHTS AND IS ONLY AS ACCURATE AS THOSE ESTIMATES. ACTUAL WEIGHTS MAY CHANGE THE RESULTS OF THIS WEIGHT DISTRIBUTION.

Hiab
 Hiab, Inc.
 12233 Williams Road
 Perrysburg, Ohio 43551
 Tel (419) 482-6000
 Fax (419) 482-6001

Tolerances - unless otherwise noted.
 Tolerances are in inches.
 2-PLACE ±.00..... .03
 3-PLACE ±.000..... .015
 ANGULAR ± 1'
 FRACTIONAL ± 1/16"
 Break all sharp corners unless otherwise specified.

THIS PROPERTY AND ALL INFORMATION THEREIN IS THE PROPERTY OF HIAB, INC., 12233 WILLIAMS RD, PERRYSBURG, OHIO 43551 AND IS CONFIDENTIAL. IT MUST NOT BE MADE PUBLIC OR COPIED. THIS DRAWING IS LOANED TO RETURN UPON DEMAND AND SHALL NOT BE USED DIRECTLY OR INDIRECTLY IN ANY WAY DETRIMENTAL TO OUR INTERESTS. OUR PRIOR SPECIFIC APPROVAL IS REQUIRED FOR EXPOSURE OF THIS DRAWING TO OTHERS FOR ANY PURPOSE.

Next Assy.
 Dwg/Cad file no. 358 / SALES

Drawing Title:
HIAB 358E-5 JIB 100X2 HIPRO

Project Name:
SALES LAYOUT

Drawn by:	Date:	Size:	Part No.
J W	5-14-18		
Approval:	Date Approved:	Scale:	unit wt.
			Eng. job no.: