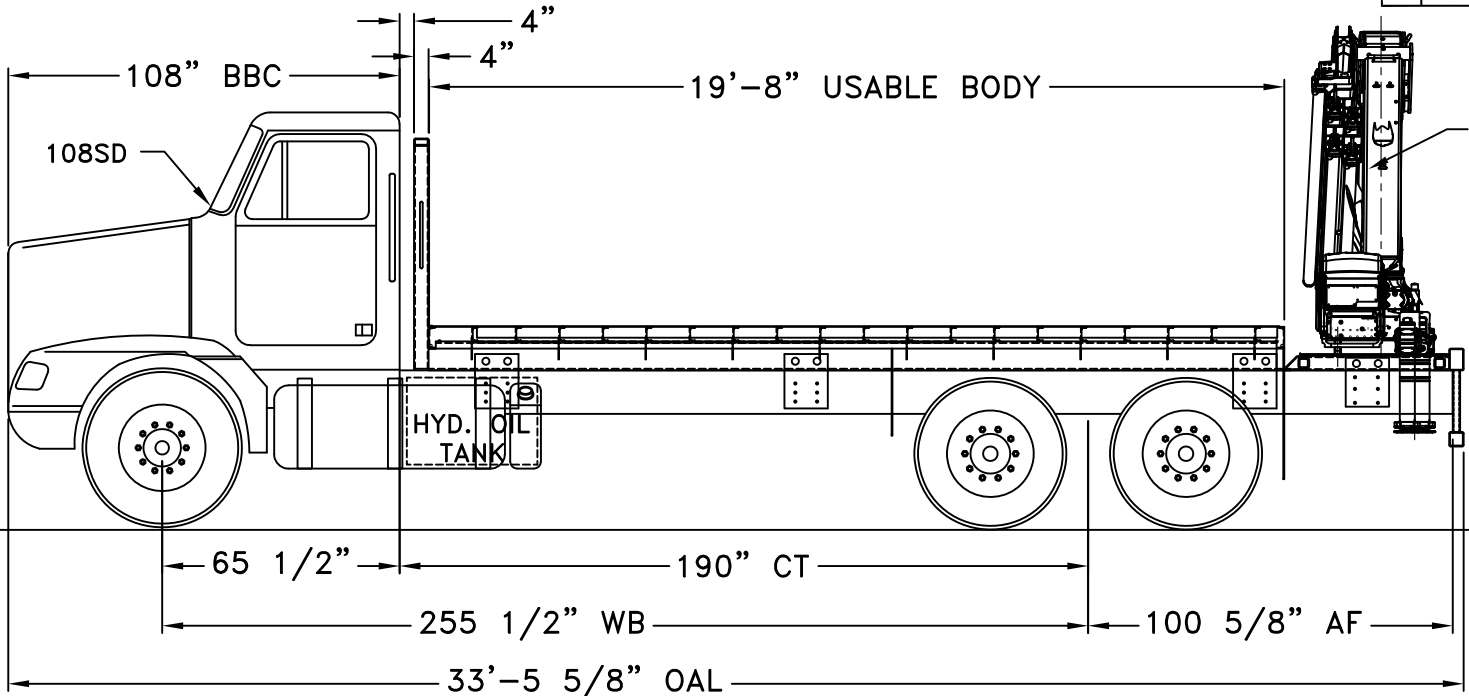


CRANE MAY BE DERATED IN FRONT QUADRANTS AS MUCH AS 15%. ACTUAL DERATING SHALL BE BASED ON PHYSICAL TESTING.

REV. PART NO. H4404



HIAB 158B-3
HIDUO
18'-1" SPREAD
OUTRIGGERS
REQUIRED

TRUCK, HIAB CRANE & ACCESSORIES WEIGHT DISTRIBUTION, <u>NO PAYLOAD.</u>	
TOTAL WEIGHT ON FRONT AXLE	= 8,960 LBS.
TOTAL WEIGHT ON REAR AXLE	= 16,530 LBS.
FRONT AXLE WT. PERCENTAGE	= 35 %
REAR AXLE WT. PERCENTAGE	= 65 %
GROSS VEHICLE WEIGHT	= 25,490 LBS.

TRUCK, HIAB CRANE & ACCESSORIES WEIGHT DISTRIBUTION, <u>WITH PAYLOAD.</u>	
TOTAL WEIGHT ON FRONT AXLE	= 14,740 LBS.
TOTAL WEIGHT ON REAR AXLE	= 34,000 LBS.
FRONT AXLE WT. PERCENTAGE	= 30 %
REAR AXLE WT. PERCENTAGE	= 70 %
GROSS VEHICLE WEIGHT	= 48,740 LBS.
PAYLOAD AS SHOWN	= 23,250 LBS.

TRUCK SPECIFICATIONS	
TRUCK MODEL	= FREIGHTLINER 108SD
WHEELBASE	= 255 1/2"
CAB TO AXLE	= 190"
AXLE-TO-FRAME	= 106"
FRONT AXLE CURB WEIGHT	= 8,600 LBS.
REAR AXLE CURB WEIGHT	= 6,700 LBS.
FRONT G.A.W.R.	= 18,000 LBS.
REAR G.A.W.R.	= 40,000 LBS.
YIELD STRENGTH OF EACH FRAME RAIL	MINIMUM SECTION MODULUS REQUIRED
120,000 P.S.I. YIELD	= 16.64 in. ³
MINIMUM RBM/RAIL OF 1,997,121 IN-LBS	

NOTES:
 FRAME RAIL MUST MEET THE MINIMUM RBM REQUIRED.
 RISER REQUIRED FOR OUTRIGGER CLEARANCE:
 4"x4"3/8" SQ. TUBING (ON TOP OF FRAME RAIL)
 3"x3"X3/8" SQ. TUBING (CROSS MEMBERS)
 FLATBED WEIGHT IS ESTIMATED.
 CURB WEIGHTS WERE ESTIMATED.

TRUCK RUNS IN US (RULES FOR MOST STATES).
 18,000 LBS. ALLOWED ON FRONT AXLE.
 34,000 LBS. ALLOWED ON TANDEM AXLE.
 52,000 LBS. ALLOWED FOR GROSS VEHICLE WEIGHT.
 OVERALL LENGTH MUST NOT EXCEED 40'.

NOTICE:
 THE DRAWING PURPOSE IS TO INTRODUCE A GENERAL CONCEPT OF A PROPOSED IDEA.

NOTICE:
 THIS WEIGHT DISTRIBUTION IS BASED ON ESTIMATED WEIGHTS AND IS ONLY AS ACCURATE AS THOSE ESTIMATES. ACTUAL WEIGHTS MAY CHANGE THE RESULTS OF THIS WEIGHT DISTRIBUTION.

Hiab Hiab, Inc. 12233 Williams Road Perrysburg, Ohio 43551 Tel (419) 482-6000 Fax (419) 482-6001 <small>Tolerances - unless otherwise noted. Tolerances are in inches. 2-PLACE ±.000..... .03 3-PLACE ±.000..... .015 ANGULAR ±1' FRACTIONAL ±1/16" Break all sharp corners unless otherwise specified.</small>	THIS PROPERTY AND ALL INFORMATION THEREIN IS THE PROPERTY OF HIAB, INC., 12233 WILLIAMS RD, PERRYSBURG, OHIO 43551 AND IS CONFIDENTIAL. IT MUST NOT BE MADE PUBLIC OR COPIED. THIS DRAWING IS LOANED TO RETURN UPON DEMAND AND SHALL NOT BE USED DIRECTLY OR INDIRECTLY IN ANY WAY DETRIMENTAL TO OUR INTERESTS. OUR PRIOR SPECIFIC APPROVAL IS REQUIRED FOR EXPOSURE OF THIS DRAWING TO OTHERS FOR ANY PURPOSE.	Drawing Title: HIAB 158B-3 HIDUO CRANE
	Project Name: SALES LAYOUT	Drawn by: Date: PWP 5-4-21
Dwg/Cad file no. 158 / SALES	Approval: Date Approved:	