

TECHNICAL SPECIFICATIONS
HIAB X-HIDUO 188

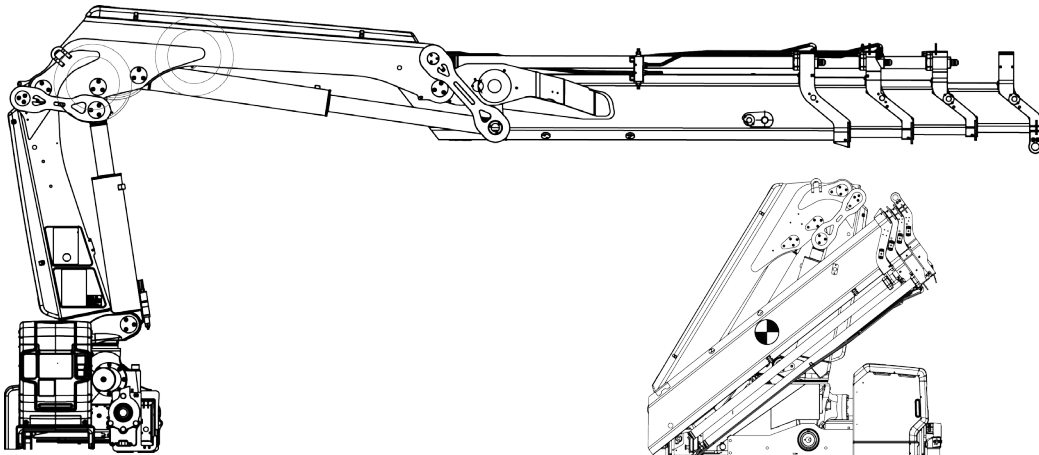


BUILT TO PERFORM



HIAB X-HIDUO 188 BASIC DATA

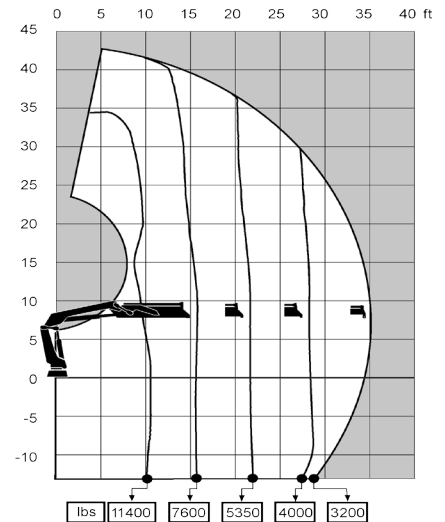
TECHNICAL DATA	B-1	B-2	B-3	E-4	E-5	E-6
Max. lifting capacity (ft-lbs)	129 730	124 670	121 190	116 640	113 960	110 850
Outreach, hydraulic extensions (ft)	21' 5"	28' 4"	35' 4"	42' 2"	49' 8"	57' 6"
Outreach, manual extensions (ft)	28' 4"	35' 4"	42' 6"	49' 9"	57' 6"	63' 9"
Outreach, with jib (ft)	-	-	-	-	-	-
Outreach / lifting capacity (ft-lbs)	10' 6" - 12 130 14' 9" - 8 710 20' 8" - 6 280 - - - -	10' 6" - 11 900 15' 1" - 8 270 21' 0" - 5 840 27' 7" - 4 450 - -	11' 2" - 10 800 15' 1" - 7 940 21' 0" - 5 510 27' 7" - 4 100 34' 1" - 3 310 -	10' 2" - 11 460 15' 9" - 7 390 21' 8" - 5 110 28' 3" - 3 750 34' 9" - 2 950 41' 8" - 2 430 -	10' 6" - 10 800 16' 1" - 7 050 22' 0" - 4 810 28' 7" - 3 440 35' 1" - 2 650 42' 0" - 2 140 49' 3" - 1 790 -	9' 10" - 11 020 15' 5" - 7 170 21' 4" - 4 760 27' 11" - 3 350 34' 5" - 2 510 41' 4" - 1 960 48' 7" - 1 610 56' 1" - 1 370
Outreach / lifting capacity, with jib (ft-lbs)	-	-	-	-	-	-
Slewing angle (°)	415	415	415	415	415	415
Height in folded position (in)	98	98	98	98	98	98
Width in folded position (in)	100	100	100	100	100	100
Installation space needed (in)	59	59	59	59	59	59
Weight, "standard" crane without stabilizers (lbs)	3 690	4 020	4 400	4 970	5 290	5 540
Weight, stabilizer equipment (lbs)	600 - 940	600 - 940	600 - 940	600 - 940	600 - 940	600 - 940
Weight, jib (lbs)	-	-	-	-	-	-



X-HiPro 188 E-4
Side View



X-HiPro 188 E-4
Front View



Disclaimer. Hiab cranes have been built to meet the highest standards of safety and service life and have been thoroughly tested. Strength calculations for this model have been carried out in accordance with EN13001 in fatigue class S2. Cargotec's certified Quality Assurance System complies with ISO 9001. Some of the items in our literature may be extra equipment. Certain applications may require an official permit. We reserve the right to change technical specifications without prior notice. Hiab cranes produced for EU-countries are CE marked and comply with the European Standard EN12999.

Hiab is the world's leading provider of on-road load handling equipment. Our high performance product range includes loader cranes, forestry and recycling cranes, demountables, truck mounted forklifts and tail lifts. We aim to set the industry benchmark for customer satisfaction by providing products and services that meet customer needs globally.

www.hiab.us.com
Hiab is part of Cargotec.
www.cargotec.com

Hiab USA Inc
12233 Williams Road
Perrysburg, OH 43551 USA
tel. +419 482 6000
fax. +419 482 6001



V2016.11.02