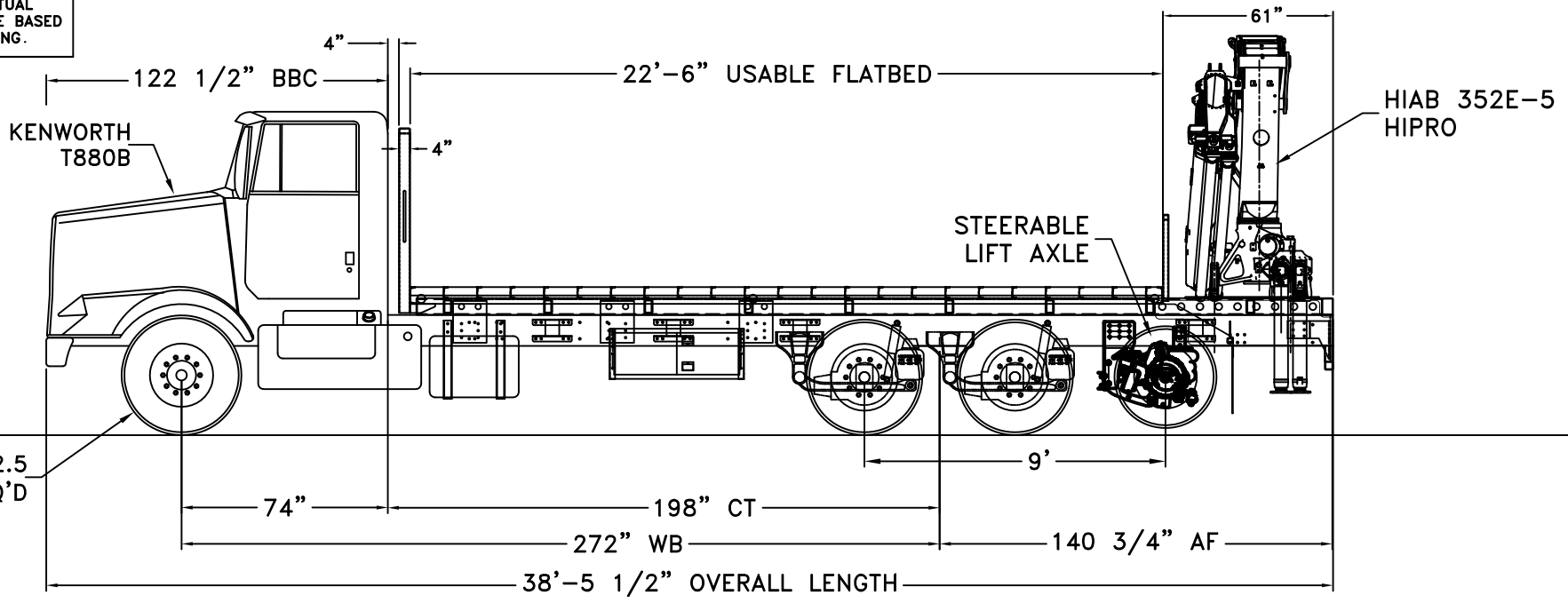


CRANE MAY BE DERATED IN FRONT QUADRANTS AS MUCH AS 20%. ACTUAL DERATING SHALL BE BASED ON PHYSICAL TESTING.



TRUCK, HIAB CRANE & ACCESSORIES WEIGHT DISTRIBUTION, NO PAYLOAD, LIFT AXLE UP.	
TOTAL WEIGHT ON FRONT AXLE	= 9,080 LBS.
TOTAL WEIGHT ON TANDEM AXLE	= 31,520 LBS.
FRONT AXLE WT. PERCENTAGE	= 22 %
TANDEM AXLE WT. PERCENTAGE	= 78 %
GROSS VEHICLE WEIGHT	= 40,600 LBS.

TRUCK, HIAB CRANE & ACCESSORIES WEIGHT DIST., WITH PAYLOAD, LIFT AXLE DOWN.	
TOTAL WEIGHT ON FRONT AXLE	= 15,040 LBS.
TOTAL WEIGHT ON TANDEM AXLE	= 34,000 LBS.
TOTAL WEIGHT ON LIFT AXLE	= 8,500 LBS.
FRONT AXLE WT. PERCENTAGE	= 26 %
TANDEM AXLE WT. PERCENTAGE	= 59 %
LIFT AXLE WT. PERCENTAGE	= 15 %
GROSS VEHICLE WEIGHT	= 57,540 LBS.
WATER LEVEL PAYLOAD	= 16,940 LBS.

TRUCK SPECIFICATIONS	
TRUCK MODEL	= KENWORTH T880B
WHEELBASE	= 272"
CAB TO TANDEM	= 198"
AXLE-TO-FRAME	= 140 3/4"
FRONT TARE WEIGHT	= 11,500 LBS.
TANDEM TARE WEIGHT	= 9,000 LBS.
FRONT G.A.W.R.	= 20,000 LBS.
TANDEM G.A.W.R.	= 46,000 LBS.
YIELD STRENGTH OF EACH FRAME RAIL	MINIMUM SECTION MODULUS REQUIRED
120,000 P.S.I. YIELD	= 37.67 in. ³
MINIMUM RBM/RAIL OF 4,520,000 IN-LBS	

NOTES:
 DOUBLE FRAME CHASSIS REQUIRED.
 FRAME RAIL MINIMUM OF 31.0 SECTION MODULUS REQUIRED.
 FULL LENGTH SUB-FRAME REQUIRED:
 6" x 4" x 3/8" RECT. TUBING (ON TOP OF FRAME RAIL)
 5" x 3" x 3/8" RECT. TUBING (CROSSMEMBERS EVERY 3 FT.)
 3/8" TOP PLATE REQUIRED.
 FLATBED & TARE WEIGHTS ARE ESTIMATED.

TRUCK RUNS IN US (RULES FOR MOST STATES).
 20,000 LBS. ALLOWED ON FRONT AXLE.
 34,000 LBS. ALLOWED ON TANDEM AXLE.
 42,500 LBS. ALLOWED ON 3 AXLE GROUP (9').
 61,500 LBS. ALLOWED FOR GROSS WEIGHT.
 ALLOWABLE LEGAL OVERALL LENGTH IS 40'.

NOTICE:
 THE DRAWING PURPOSE IS TO INTRODUCE A GENERAL CONCEPT OF A PROPOSED IDEA.

NOTICE:
 THIS WEIGHT DISTRIBUTION IS BASED ON ESTIMATED WEIGHTS AND IS ONLY AS ACCURATE AS THOSE ESTIMATES. ACTUAL WEIGHTS MAY CHANGE THE RESULTS OF THIS WEIGHT DISTRIBUTION.

Hiab, Inc.
 Hiab, Inc.
 12233 Williams Road
 Perrysburg, Ohio 43551
 Tel (419) 482-6000
 Fax (419) 482-6001
 Tolerances - unless otherwise noted.
 Tolerances are in inches.
 2-PLACE ±.00..... .03
 3-PLACE ±.000..... .015
 ANGULAR ±1'
 FRACTIONAL ±1/16"
 Break all sharp corners unless otherwise specified.

THIS PROPERTY AND ALL INFORMATION THEREIN IS THE PROPERTY OF Hiab, Inc., 12233 WILLIAMS RD., PERRYSBURG, OHIO 43551 AND IS CONFIDENTIAL. IT MUST NOT BE MADE PUBLIC OR COPIED. THIS DRAWING IS LOANED TO RETURN UPON DEMAND AND SHALL NOT BE USED DIRECTLY OR INDIRECTLY IN ANY WAY DETRIMENTAL TO OUR INTERESTS. OUR PRIOR SPECIFIC APPROVAL IS REQUIRED FOR EXPOSURE OF THIS DRAWING TO OTHERS FOR ANY PURPOSE.

Drawing Title: HIAB 352E-5 HIPRO CRANE
 Project Name: SALES LAYOUT

Dwg/Cad file no.	352 / SALES	Drawn by: Date:	EJM 7-25-19	Size:	Part No.
		Approval: Date Approved:		Scale:	unit wt.
					Eng. job no.: