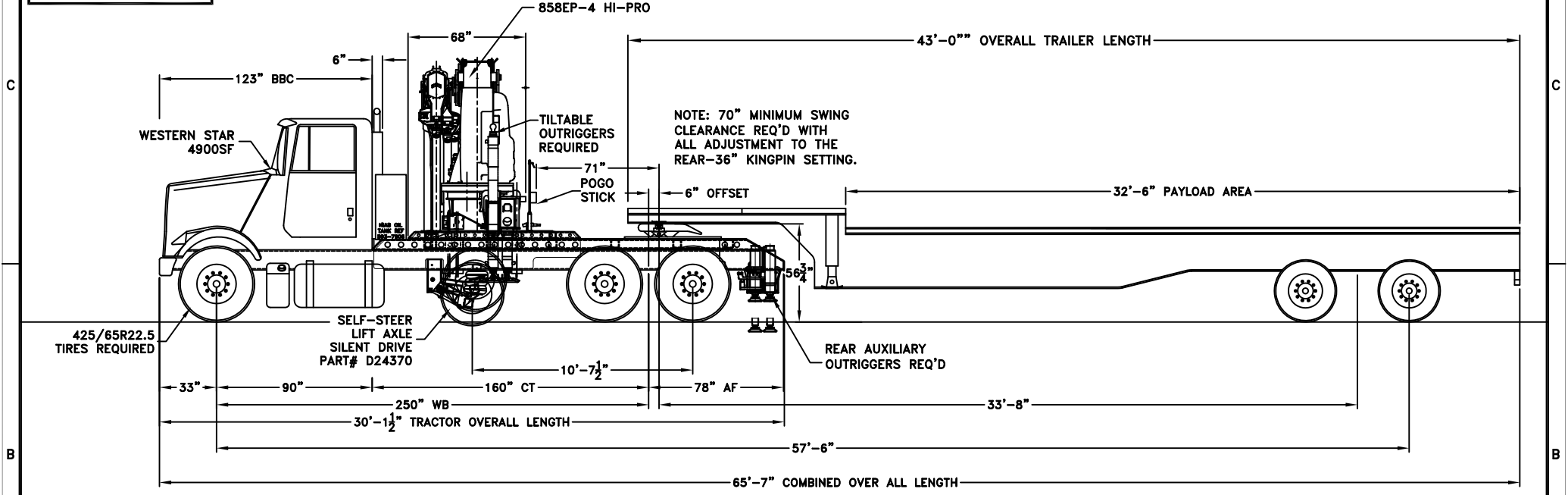


*** WARNING ***
 FRONT AXLE MAY EXCEED 20,000 LBS. RATING WHEN PUSHER AXLE IS UP. PUSHER AXLE MUST BE DOWN IN ALL FORWARD GEARS.

CRANE WILL BE DERATED IN FRONT SECTORS BY AT LEAST 35%. ACTUAL DERATING SHALL BE BASED ON PHYSICAL TESTING.



TRUCK, HIAB CRANE & ACCESSORIES WEIGHT DISTRIBUTION, PUSHER AXLE DOWN, NO LOAD ON TRAILER.

FRONT AXLE LOAD	= 16,880 LBS.
PUSHER AXLE LOAD	= 9,000 LBS.
REAR AXLE LOAD	= 25,360 LBS.
TRAILER TANDEM LOAD	= 7,580 LBS.
FRONT AXLE PERCENTAGE	= 33 %
PUSHER AXLE PERCENTAGE	= 18 %
REAR AXLE PERCENTAGE	= 49 %
GROSS COMBINATION WEIGHT	= 58,820 LBS.

TRUCK, HIAB CRANE & ACCESSORIES WEIGHT DISTRIBUTION, PUSHER AXLE DOWN, MAX. LOAD ON TRAILER.

FRONT AXLE LOAD	= 16,750 LBS.
PUSHER AXLE LOAD	= 9,000 LBS.
REAR AXLE LOAD	= 30,790 LBS.
TRAILER TANDEM LOAD	= 23,460 LBS.
FRONT AXLE PERCENTAGE	= 30 %
PUSHER AXLE PERCENTAGE	= 16 %
REAR AXLE PERCENTAGE	= 54 %
FIFTH WHEEL LOAD	= 8,170 LBS.
PAYLOAD AS SHOWN	= 21,180 LBS.
GROSS VEHICLE WEIGHT	= 80,000 LBS.

TRUCK SPECIFICATIONS

TRUCK MODEL	= WESTERN STAR 4900SF
WHEELBASE	= 250"
CAB TO TRIDEM	= 160"
AXLE-TO-FRAME	= 78"
FRONT AXLE CURB WEIGHT	= 11,542 LBS.
REAR AXLE CURB WEIGHT	= 9,115 LBS.
FRONT G.A.W.R.	= 23,000 LBS.
REAR G.A.W.R.	= 46,000 LBS.
YIELD STRENGTH OF EACH FRAME RAIL	MINIMUM SECTION MODULUS REQUIRED
120,000 P.S.I. YIELD	= 71.69 in. ³
MINIMUM RBM/RAIL	= 8,602,236 IN-LBS

NOTES:
 TRIPLE FRAME CHASSIS REQUIRED, 120,000 PSI MINIMUM. CHASSIS FRAME RAIL MIN. OF 46.7 SECTION MODULUS REQ'D. FULL LENGTH SUB-FRAME REQUIRED:
 6"X4"X1/2" RECT. TUBING (ON TOP OF RAIL)
 5"X5"X1/2" RECT. TUBING (CROSS MEMBERS EVERY 3')
 1/2" TOP PLATE & 1/2" BOTTOM PLATE - FULL LENGTH. SUB-FRAME AND AUX. OUTRIGGER WEIGHTS WERE ESTIMATED. CURB WEIGHTS WERE PROVIDED. TRAILER WEIGHT WAS ESTIMATED.
 TRUCK RUNS IN SOUTH CAROLINA.
 20,000 LBS. ALLOWED ON A SINGLE AXLE.
 35,200 LBS. ALLOWED ON TANDEM.
 44,000 LBS. ALLOWED ON TRIDEM. (11')
 68,000 LBS. ALLOWED ON 4 AXLE GROUP. (39')
 57,500 LBS. ALLOWED FOR GROSS TRACTOR WEIGHT.
 80,000 LBS. ALLOWED FOR GROSS COMBINATION WEIGHT.
 MAXIMUM TRACTOR LENGTH CANNOT EXCEED 40'.
 MAXIMUM TRAILER LENGTH CANNOT EXCEED 53'.

NOTICE:
 THIS WEIGHT DISTRIBUTION IS BASED ON ESTIMATED WEIGHTS AND IS ONLY AS ACCURATE AS THOSE ESTIMATES. ACTUAL WEIGHTS MAY CHANGE THE RESULTS OF THIS WEIGHT DISTRIBUTION.

NOTICE:
 THE DRAWING PURPOSE IS TO INTRODUCE A GENERAL CONCEPT OF A PROPOSED IDEA.

Hiab, Inc.
 Hiab, Inc.
 12233 Williams Road
 Perrysburg, Ohio 43551
 Tel (419) 482-6000
 Fax (419) 482-6001

Tolerances - unless otherwise noted.
 Tolerances are in inches.
 2-PLACE ±.000... .03
 3-PLACE ±.000... .015
 ANGULAR ± .00000... 1'
 FRACTIONAL ± .00000... 1/16"

Next Assy.
 Dwg/Cad file no. 858 / SALES

Drawing Title:
 HIAB 858EP-4 HIPRO

Project Name:
 SALES LAYOUT

Drawn by/Date:
 SMG 2-6-20

Size: unit wt. **Part No.:** Eng. job no.:

Approval: Date Approved: **Scale:**