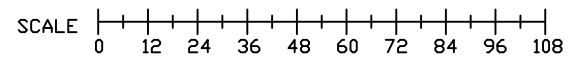
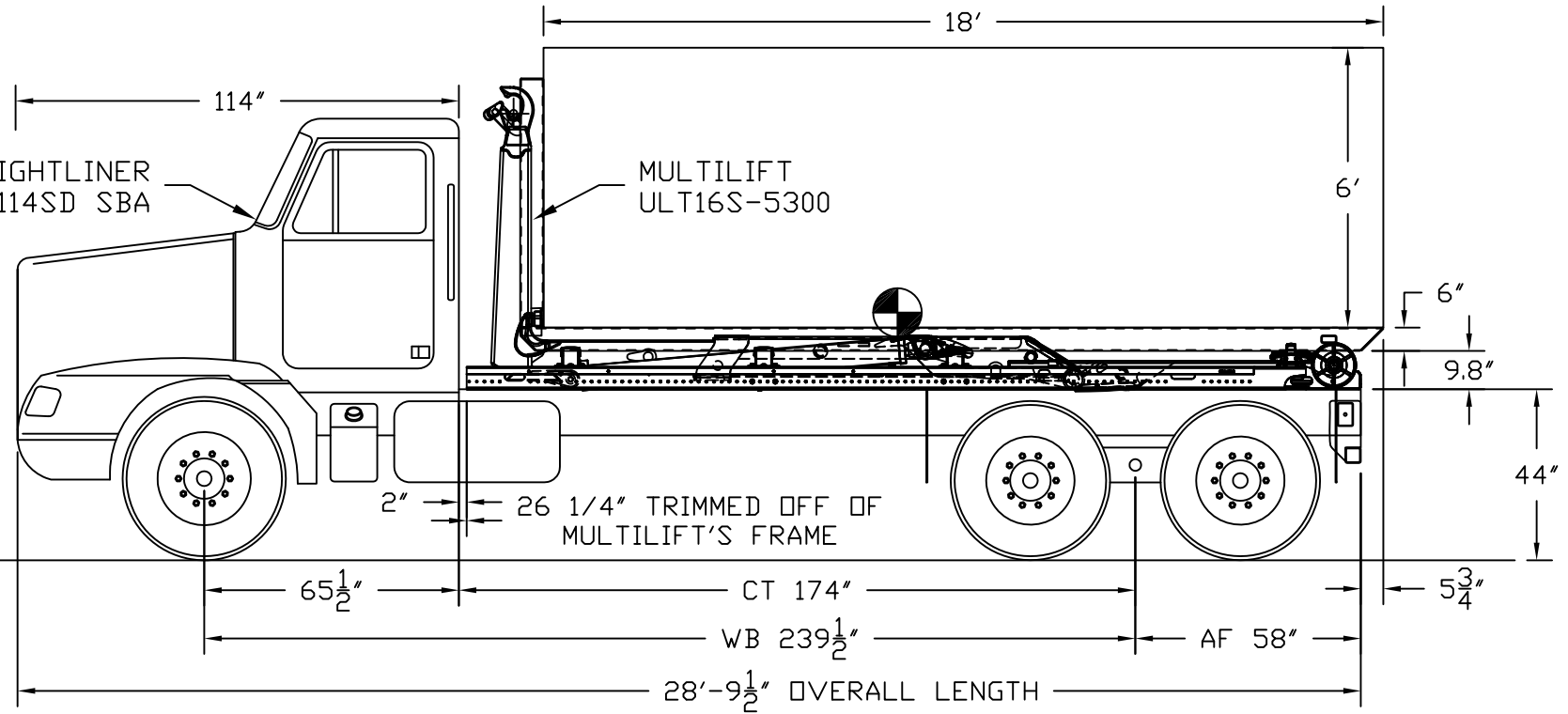


REV. PART NO.

FREIGHTLINER
114SD SBA

MULTILIFT
ULT16S-5300

26 1/4" TRIMMED OFF OF
MULTILIFT'S FRAME



NOTICE:
THIS DRAWING WAS INTENDED FOR ILLUSTRATION PURPOSES ONLY. IT IS NOT A WEIGHT DISTRIBUTION DRAWING. NOTE THAT IT IS THE CUSTOMER'S AND/OR INSTALLER'S RESPONSIBILITY TO ENSURE THE COMPLETED PACKAGE MEETS ALL LOCAL AND FEDERAL GUIDELINES.

Hiab, Inc.
Hiab, Inc.
12233 Williams Road
Perryburg, Ohio 43551
Tel (419) 482-6000
Fax (419) 482-6001
Tolerances - unless otherwise noted.
Tolerances are in inches.
2-PLACE ±.00..... .03
3-PLACE ±.000..... .015
ANGULAR 2' ±..... 1'
FRACTIONAL 2' ±..... 1/16"
Break all sharp corners unless otherwise specified.

THIS PROPERTY AND ALL INFORMATION THEREIN IS THE PROPERTY OF HIAB, INC., 12233 WILLIAMS RD, PERRYBURG, OHIO 43551 AND IS CONFIDENTIAL. IT MUST NOT BE MADE PUBLIC OR COPIED. THIS DRAWING IS LOANED TO RETURN UPON DEMAND AND SHALL NOT BE USED DIRECTLY OR INDIRECTLY IN ANY WAY DETRIMENTAL TO OUR INTERESTS. OUR PRIOR SPECIFIC APPROVAL IS REQUIRED FOR EXPOSURE OF THIS DRAWING TO OTHERS FOR ANY PURPOSE.

MULTILIFT/SALES

Dwg/Cad file no.

Drawing Title:		MULTILIFT ULT16S-5300	
Project Name:		18' BODY	
Drawn by:	Date:	Size:	Part No.
SMG	10-5-20		
Approval:	Date Approved:	Scale:	unit wt.
			Eng. job no.: