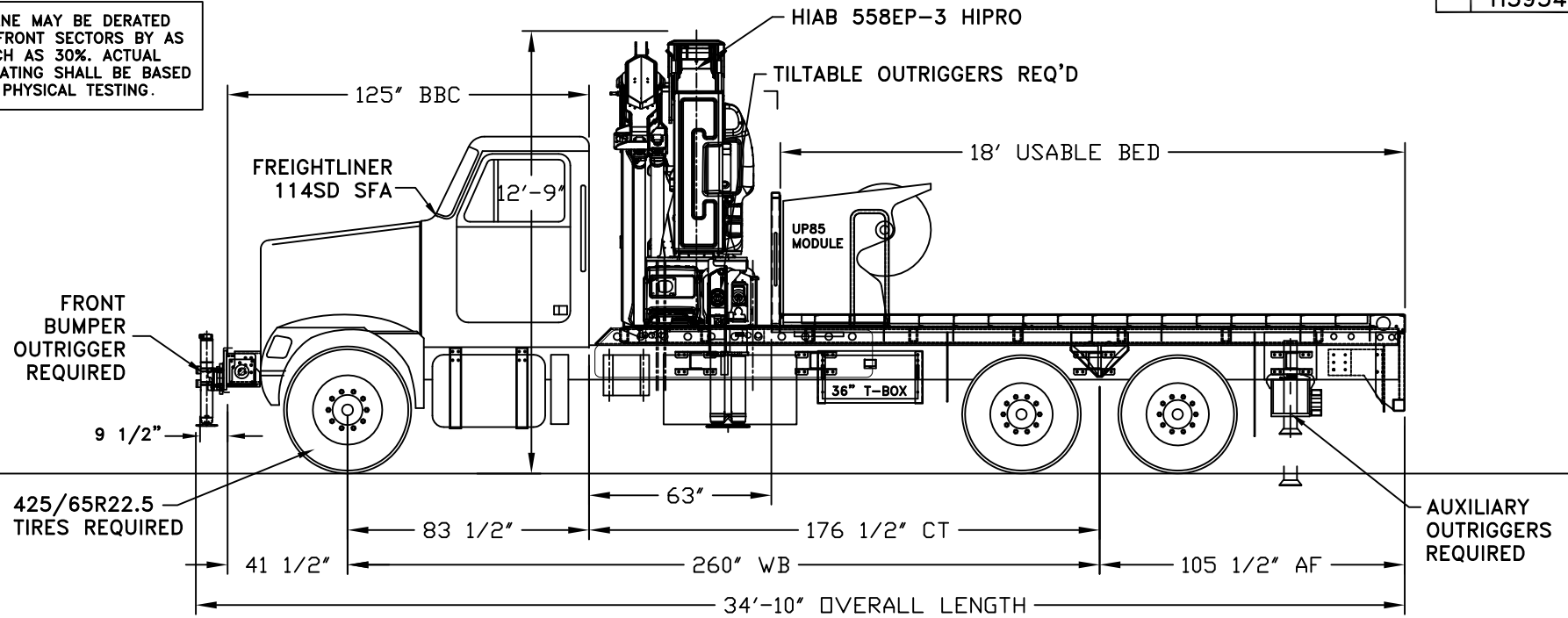


CRANE MAY BE DERATED IN FRONT SECTORS BY AS MUCH AS 30%. ACTUAL DERATING SHALL BE BASED ON PHYSICAL TESTING.



425/65R22.5 TIRES REQUIRED

AUXILIARY OUTRIGGERS REQUIRED

TRUCK, HIAB CRANE & ACCESSORIES WEIGHT DISTRIBUTION, NO PAYLOAD.	
TOTAL WEIGHT ON FRONT AXLE	= 19,000 LBS.
TOTAL WEIGHT ON REAR AXLE	= 26,210 LBS.
FRONT AXLE WT. PERCENTAGE	= 42 %
REAR AXLE WT. PERCENTAGE	= 58 %
GROSS VEHICLE WEIGHT	= 45,210 LBS.

TRUCK, HIAB CRANE & ACCESSORIES WEIGHT DISTRIBUTION, WITH PAYLOAD.	
TOTAL WEIGHT ON FRONT AXLE	= 19,130 LBS.
TOTAL WEIGHT ON REAR AXLE	= 43,170 LBS.
FRONT AXLE WT. PERCENTAGE	= 31 %
REAR AXLE WT. PERCENTAGE	= 69 %
GROSS VEHICLE WEIGHT	= 62,300 LBS.
WATER LEVEL PAYLOAD	= 17,090 LBS.

TRUCK SPECIFICATIONS	
TRUCK MODEL	= FREIGHTLINER 114SD SFA
WHEELBASE	= 260"
CAB TO TANDEM	= 176 1/2"
AXLE-TO-FRAME	= 105 1/2"
FRONT AXLE CURB WEIGHT	= 10,200 LBS.
REAR AXLE CURB WEIGHT	= 8,800 LBS.
FRONT G.A.W.R.	= 20,000 LBS.
REAR G.A.W.R.	= 46,000 LBS.
YIELD STRENGTH OF EACH FRAME RAIL	MINIMUM SECTION MODULUS REQUIRED
120,000 P.S.I. YIELD	= 48.01 in. ³
MINIMUM RBM/RAIL	= 5,761,200 IN-LBS

NOTES:
 DOUBLE FRAME CHASSIS REQUIRED.
 CHASSIS FRAME RAIL MIN. OF 38.0 SECTION MODULUS REQUIRED.
 FULL LENGTH SUB-FRAME REQUIRED:
 6"x4"x1/2" RECT. TUBING (ON TOP OF RAIL)
 5"x3"x3/8" RECT. TUBING (CROSSMEMBERS EVERY 3')
 1/2" TOP AND 3/8" BOTTOM PLATE REQUIRED.
 CURB WEIGHTS ARE ESTIMATED.
 BODY WEIGHT IS ESTIMATED.
 TRUCK RUNS IN FLORIDA.
 20,000 LBS. ALLOWED ON FRONT AXLE GAWR.
 44,000 LBS. ALLOWED ON TANDEM.
 62,304 LBS. ALLOWED FOR GROSS WEIGHT.
 MAXIMUM LENGTH CANNOT EXCEED 40'.

NOTICE:
 THIS WEIGHT DISTRIBUTION IS BASED ON ESTIMATED WEIGHTS AND IS ONLY AS ACCURATE AS THOSE ESTIMATES. ACTUAL WEIGHTS MAY CHANGE THE RESULTS OF THIS WEIGHT DISTRIBUTION.

NOTICE:
 THE DRAWING PURPOSE IS TO INTRODUCE A GENERAL CONCEPT OF A PROPOSED IDEA.

Hiab, Inc
 Hiab, Inc.
 12233 Williams Road
 Perrysburg, Ohio 43551
 Tel (419) 482-6000
 Fax (419) 482-6001
 Tolerances - unless otherwise noted.
 Tolerances are in inches.
 2-PLACE ±.000... .03
 3-PLACE ±.000... .015
 ANGULAR ±1/16"
 FRACTIONAL ±1/16"
 Break all sharp corners unless otherwise specified.

THIS PROPERTY AND ALL INFORMATION THEREIN IS THE PROPERTY OF HIAB, INC., 12233 WILLIAMS RD, PERRYSBURG, OHIO 43551 AND IS CONFIDENTIAL. IT MUST NOT BE MADE PUBLIC OR COPIED. THIS DRAWING IS LOANED TO RETURN UPON DEMAND AND SHALL NOT BE USED DIRECTLY OR INDIRECTLY IN ANY WAY DETRIMENTAL TO OUR INTERESTS. OUR PRIOR SPECIFIC APPROVAL IS REQUIRED FOR EXPOSURE OF THIS DRAWING TO OTHERS FOR ANY PURPOSE.

Next Assy.
558 / SALES
 Dwg/Cad file no.

Drawing Title:		HIAB 558EP-3 HIPRO	
Project Name:		SALES LAYOUT	
Drawn by:	Date:	Size:	Part No.
J W	3-19-19		
Approval:	Date Approved:	Scale:	unit wt.
			Eng. job no.: