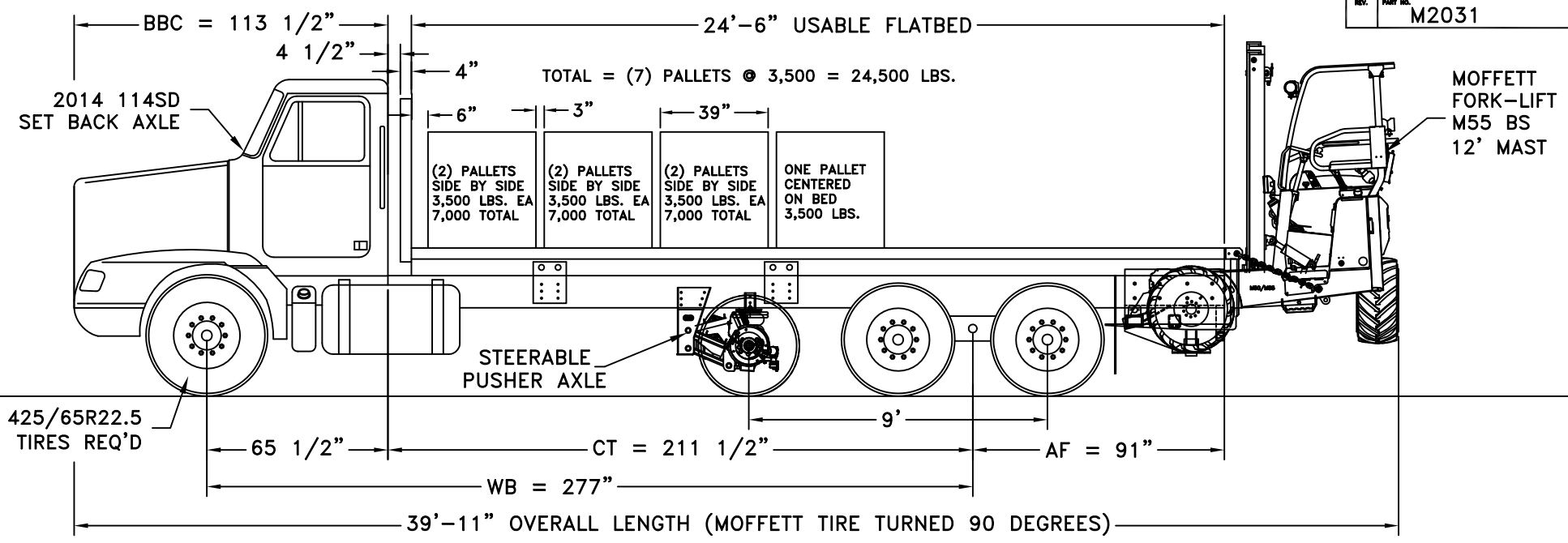


REV. PART NO. M2031



TRUCK, MOFFETT & ACCESORIES WEIGHT DISTRIBUTION, NO PAYLOAD, LIFT AXLE UP.	
TOTAL WEIGHT ON FRONT AXLE	= 10,140 LBS.
TOTAL WEIGHT ON TANDEM AXLE	= 23,280 LBS.
FRONT AXLE WT. PERCENTAGE	= 30 %
TANDEM AXLE WT. PERCENTAGE	= 70 %
GROSS VEHICLE WEIGHT	= 33,420 LBS.

TRUCK, MOFFETT & ACCESORIES WEIGHT DISTRIBUTION, WITH PAYLOAD, LIFT AXLE DOWN.	
TOTAL WEIGHT ON FRONT AXLE	= 18,970 LBS.
TOTAL WEIGHT ON LIFT AXLE	= 7,000 LBS.
TOTAL WEIGHT ON TANDEM AXLE	= 31,950 LBS.
FRONT AXLE WT. PERCENTAGE	= 33 %
LIFT AXLE WT. PERCENTAGE	= 12 %
TANDEM AXLE WT. PERCENTAGE	= 55 %
GROSS VEHICLE WEIGHT	= 57,920 LBS.
SPECIFIED PAYLOAD	= 24,500 LBS.

TRUCK SPECIFICATIONS	
TRUCK MODEL	= FREIGHTLINER 114SD
WHEELBASE	= 277"
CAB TO TANDEM	= 211 1/2"
AXLE TO FRAME	= 91"
FRONT AXLE TARE WEIGHT	= 10,900 LBS.
TANDEM AXLE TARE WEIGHT	= 8,800 LBS.
FRONT G.A.W.R.	= 20,000 LBS.
TANDEM G.A.W.R.	= 46,000 LBS.
YIELD STRENGTH OF EACH FRAME RAIL	MINIMUM SECTION MODULUS REQUIRED
110,000 PSI YIELD	= 17.05 in. <sup>3</sup>
120,000 PSI YIELD	= 15.63 in. <sup>3</sup>
MINIMUM RBM/RAIL = 1,875,938 IN-LBS.	

**NOTES:**  
 DOUBLE FRAME CHASSIS REQUIRED.  
 FRAME RAIL WITH THE MINIMUM RBM REQUIRED.  
 FLATBED & LIFT AXLE WEIGHTS ARE ESTIMATED.  
 CURB WEIGHTS ARE ESTIMATED.

\* WATER LEVEL PAYLOAD = 19,640 LBS.  
 TRUCK RUNS IN US (RULES FOR MOST STATES).  
 20,000 LBS. ALLOWED ON FRONT AXLE.  
 34,000 LBS. ALLOWED ON TANDEM AXLE.  
 42,500 LBS. ALLOWED ON 3 AXLE GROUP. (9')  
 58,500 LBS. ALLOWED FOR 4 AXLES. (25')  
 MAXIMUM LEGAL OVERALL LENGTH IS 40'.

**NOTICE:**  
 THE DRAWING PURPOSE IS TO INTRODUCE A GENERAL CONCEPT OF A PROPOSED IDEA.

**NOTICE:**  
 THIS WEIGHT DISTRIBUTION IS BASED ON ESTIMATED WEIGHTS AND IS ONLY AS ACCURATE AS THOSE ESTIMATES. ACTUAL WEIGHTS MAY CHANGE THE RESULTS OF THIS WEIGHT DISTRIBUTION.

**Hiab, Inc.**  
 Hiab, Inc.  
 12233 Williams Road  
 Perrysburg, Ohio 43551  
 Tel (419) 482-6000  
 Fax (419) 482-6001

Tolerances - unless otherwise noted.  
 Tolerances are in inches  
 2-PLACE ±.000... .03  
 3-PLACE ±.000... .015  
 ANGULAR ± ...../16"  
 FRACTIONAL ± ...../16"  
 Break all sharp corners unless otherwise specified.

THIS PROPERTY AND ALL INFORMATION THEREIN IS THE PROPERTY OF HIAB, INC., 12233 WILLIAMS RD., PERRYSBURG, OHIO 43551 AND IS CONFIDENTIAL. IT MUST NOT BE MADE PUBLIC OR COPIED. THIS DRAWING IS LOANED TO RETURN UPON DEMAND AND SHALL NOT BE USED DIRECTLY OR INDIRECTLY IN ANY WAY DETRIMENTAL TO OUR INTERESTS. OUR PRIOR SPECIFIC APPROVAL IS REQUIRED FOR EXPOSURE OF THIS DRAWING TO OTHERS FOR ANY PURPOSE.

Next Assy.  
 Dwg/Cad file no.  
**MOFFETT / SALES**

Drawing Title:  
**MOFFETT FORK-LIFT M55 12' MAST**

Project Name:  
**SALES LAYOUT**

Drawn by: Date: Size: Part No.  
 J W 6-4-13

Approval: Date Approved: Scale: unit wt. Eng. Job no.: