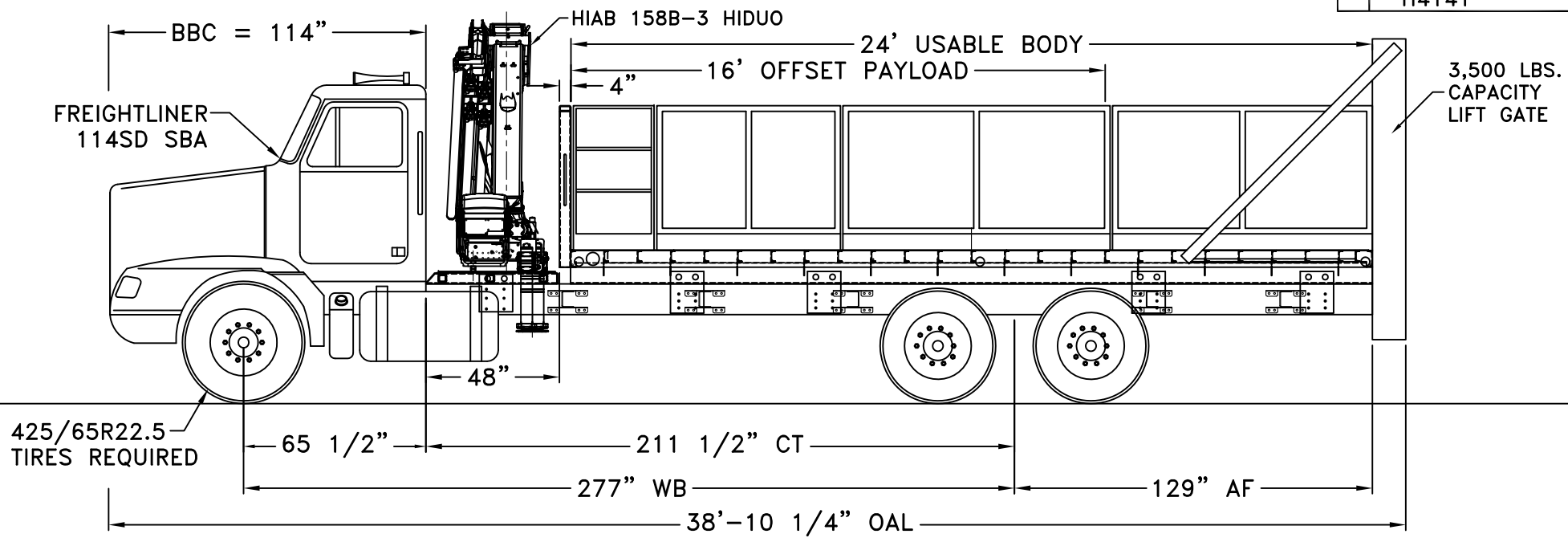


REV. PART NO. H4141



TRUCK, HIAB CRANE & ACCESSORIES WEIGHT DISTRIBUTION, NO PAYLOAD.	
TOTAL WEIGHT ON FRONT AXLE	= 14,740 LBS.
TOTAL WEIGHT ON REAR AXLE	= 16,380 LBS.
FRONT AXLE WT. PERCENTAGE	= 47 %
REAR AXLE WT. PERCENTAGE	= 53 %
GROSS VEHICLE WEIGHT	= 31,120 LBS.

TRUCK, HIAB CRANE & ACCESSORIES WEIGHT DISTRIBUTION, WITH PAYLOAD.	
TOTAL WEIGHT ON FRONT AXLE	= 19,920 LBS.
TOTAL WEIGHT ON REAR AXLE	= 34,000 LBS.
FRONT AXLE WT. PERCENTAGE	= 37 %
REAR AXLE WT. PERCENTAGE	= 63 %
GROSS VEHICLE WEIGHT	= 47,110 LBS.
PAYLOAD IN 16' AREA	= 22,800 LBS.
**WATER LEVEL PAYLOAD**	= 18,630 LBS.

TRUCK SPECIFICATIONS	
TRUCK MODEL	= FREIGHTLINER 114SD
WHEELBASE	= 277"
CAB TO AXLE	= 211 1/2"
AXLE-TO-FRAME	= 129"
FRONT AXLE CURB WEIGHT	= 11,100 LBS.
REAR AXLE CURB WEIGHT	= 8,000 LBS.
FRONT G.A.W.R.	= 20,000 LBS.
REAR G.A.W.R.	= 46,000 LBS.
YIELD STRENGTH OF EACH FRAME RAIL	MINIMUM SECTION MODULUS REQUIRED
120,000 P.S.I. YIELD	= 13.92 in. <sup>3</sup>
MINIMUM RBM/RAIL OF 1,670,400 IN-LBS	

**NOTES:**  
 FRAME RAIL MUST MEET THE MINIMUM RBM REQUIRED.  
 RISER REQUIRED FOR OUTRIGGER CLEARANCE:  
 4"x4"x3/8" RECT. TUBING (ON TOP OF FRAME RAIL)  
 3"x3"x3/8" RECT. TUBING (CROSS MEMBERS)  
 FLATBED WEIGHT IS ESTIMATED.  
 CURB WEIGHTS ARE ESTIMATED.

TRUCK RUNS IN US (RULES FOR MOST STATES).  
 20,000 LBS. ALLOWED ON FRONT AXLE.  
 34,000 LBS. ALLOWED ON TANDEM AXLE.  
 54,000 LBS. ALLOWED FOR GROSS VEHICLE WEIGHT  
 OVERALL LENGTH MUST NOT EXCEED 40'.

**NOTICE:**  
 THE DRAWING PURPOSE IS TO INTRODUCE A GENERAL CONCEPT OF A PROPOSED IDEA.

**NOTICE:**  
 THIS WEIGHT DISTRIBUTION IS BASED ON ESTIMATED WEIGHTS AND IS ONLY AS ACCURATE AS THOSE ESTIMATES. ACTUAL WEIGHTS MAY CHANGE THE RESULTS OF THIS WEIGHT DISTRIBUTION.

<b>Hiab</b> Hiab, Inc. 12233 Williams Road Perrysburg, Ohio 43551 Tel (419) 482-6000 Fax (419) 482-6001 <small>Tolerances - unless otherwise noted.          Tolerances are in inches</small> 2-PLACE ±.00..... .03 3-PLACE ±.000..... .015 ANGULAR ± ..... 1' FRACTIONAL ± ..... 1/16" <small>Break all sharp corners unless otherwise specified.</small>	THIS PROPERTY AND ALL INFORMATION THEREIN IS THE PROPERTY OF HIAB, INC., 12233 WILLIAMS RD, PERRYSBURG, OHIO 43551 AND IS CONFIDENTIAL. IT MUST NOT BE MADE PUBLIC OR COPIED. THIS DRAWING IS LOANED TO RETURN UPON DEMAND AND SHALL NOT BE USED DIRECTLY OR INDIRECTLY IN ANY WAY DETRIMENTAL TO OUR INTERESTS. OUR PRIOR SPECIFIC APPROVAL IS REQUIRED FOR EXPOSURE OF THIS DRAWING TO OTHERS FOR ANY PURPOSE.	Drawing Title: <b>HIAB 158B-3 HIDUO CRANE</b>
	Project Name: <b>SALES LAYOUT</b>	Drawn by/Date: <b>EJM 2-10-20</b>
Dwg/Cad file no. <b>158 / SALES</b>	Approval: Date Approved:	Scale: unit wt. Eng. job no.: