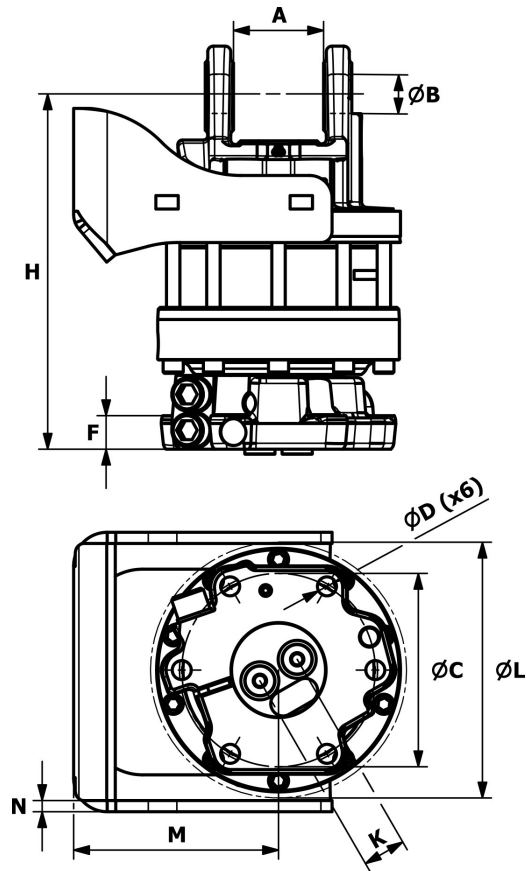
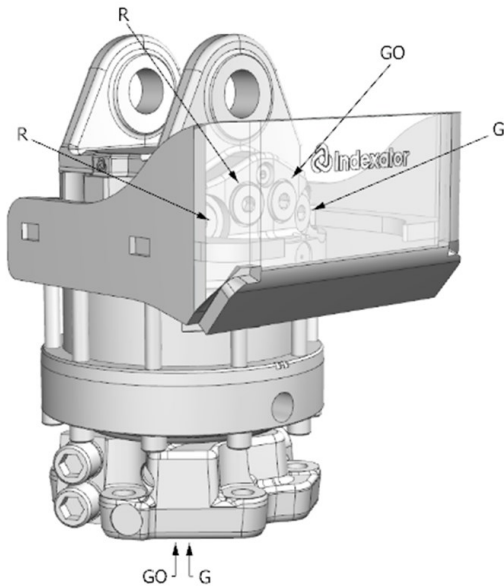


GV 12 A Y HD

Part No.: 5120013

- Protected Hose Routing



Upper connection	Lower connection
G 1/2	G 1/2

A: 80 mm	B: Ø35 mm	C: Ø173 mm	D: Ø17 mm	F: 30 mm	H: 317 mm	K: 38,5 mm	L: Ø229 mm	M: 183 mm	N: 10 mm
-------------	--------------	---------------	--------------	-------------	--------------	---------------	---------------	--------------	-------------

59 kg	360°	100 kN	50 kN	2200 Nm	25 l/min	25 MPa	25 MPa	25 MPa	25 MPa

Rotators with the term HD has a hose guard with extra thick material (10 mm), compared to rotators designated with Y or Y XL (6 mm).

We reserve the right to make product changes. For further technical information relating to integration and hydraulic connections, please contact rotator@indexator.com