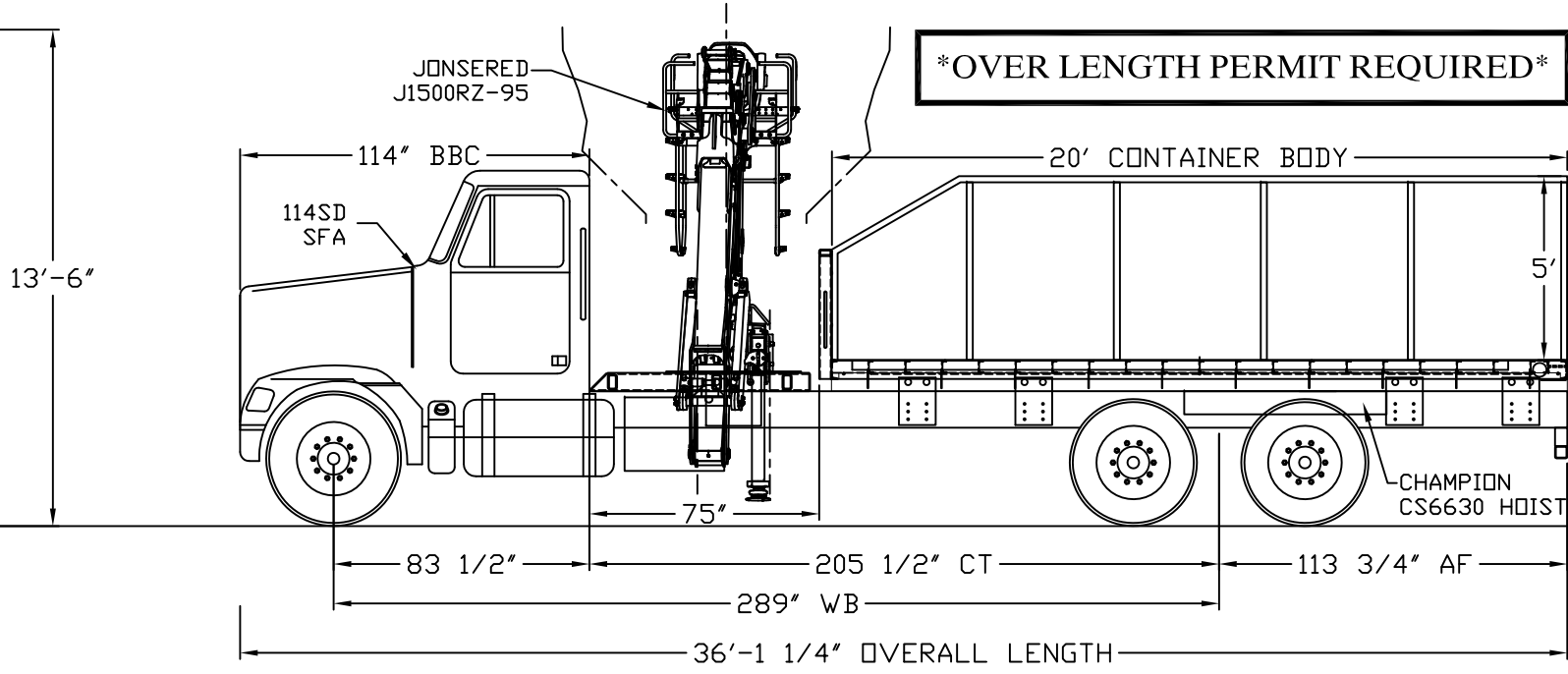


**\*OVER LENGTH PERMIT REQUIRED\***



TRUCK, JONSERED LOADER & ACCESSORIES WEIGHT DISTRIBUTION, <u>NO</u> PAYLOAD.	
TOTAL WEIGHT ON FRONT AXLE	= 14,970 LBS.
TOTAL WEIGHT ON TANDEM AXLE	= 16,520 LBS.
FRONT AXLE WT. PERCENTAGE	= 48 %
TANDEM AXLE WT. PERCENTAGE	= 52 %
GROSS VEHICLE WEIGHT	= 31,490 LBS.

TRUCK, JONSERED LOADER & ACCESSORIES WEIGHT DISTRIBUTION, <u>WITH</u> PAYLOAD.	
TOTAL WEIGHT ON FRONT AXLE	= 15,380 LBS.
TOTAL WEIGHT ON TANDEM AXLE	= 36,000 LBS.
FRONT AXLE WT. PERCENTAGE	= 30 %
TANDEM AXLE WT. PERCENTAGE	= 70 %
GROSS VEHICLE WEIGHT	= 51,380 LBS.
PAYLOAD EVENLY DISTRIBUTED	= 19,890 LBS.

TRUCK SPECIFICATIONS	
TRUCK MODEL	= FREIGHTLINER 114SD SFA
WHEELBASE	= 289"
CAB TO TANDEM	= 205 1/2"
AXLE-TO-FRAME	= 113 3/4"
FRONT AXLE CURB WEIGHT	= 10,400 LBS.
TANDEM AXLE CURB WEIGHT	= 7,900 LBS.
FRONT G.A.W.R.	= 20,000 LBS.
TANDEM G.A.W.R.	= 46,000 LBS.
YIELD STRENGTH OF EACH FRAME RAIL	MINIMUM SECTION MODULUS REQUIRED
120,000 P.S.I. YIELD	= 12.31 in. <sup>3</sup>
MINIMUM RBM/RAIL OF 1,476,858 IN-LBS	

**NOTES:**  
 DOUBLE FRAME CHASSIS RECOMMENDED.  
 FRAME RAIL MINIMUM SECTION MODULUS REQUIRED.  
 RISER REQUIRED FOR OUTRIGGER CLEARANCE:  
 6" X 4" X 3/8" RECT. TUBING (ON TOP OF FRAME RAIL)  
 5" X 3" X 3/8" RECT. TUBING (CROSS MEMBERS EVERY 3 FT.)  
 BODY WEIGHT WAS ESTIMATED.  
 CURB WEIGHTS WERE ESTIMATED.

TRUCK RUNS IN NEW YORK CITY.  
 20,000 LBS. ALLOWED ON FRONT AXLE GAWR.  
 36,000 LBS. ALLOWED ON TANDEM.  
 56,000 LBS. ALLOWED FOR GROSS WEIGHT.  
 ALLOWABLE LEGAL OVERALL LENGTH IS 35'.

**NOTICE:**  
 THIS WEIGHT DISTRIBUTION IS BASED ON ESTIMATED WEIGHTS AND IS ONLY AS ACCURATE AS THOSE ESTIMATES. ACTUAL WEIGHTS MAY CHANGE THE RESULTS OF THIS WEIGHT DISTRIBUTION.

**Hiab**  
 Hiab, Inc.  
 12233 Williams Road  
 Perrysburg, Ohio 43551  
 Tel (419) 482-6000  
 Fax (419) 482-6001

Tolerances - unless otherwise noted.  
 Tolerances are in inches  
 2-PLACE ±.00..... .03  
 3-PLACE ±.000..... .015  
 ANGULAR ± ..... 1'  
 FRACTIONAL ± ..... 1/16"  
 Break all sharp corners unless otherwise specified.

THIS PROPERTY AND ALL INFORMATION THEREIN IS THE PROPERTY OF HIAB, INC., 12233 WILLIAMS RD, PERRYSBURG, OHIO 43551 AND IS CONFIDENTIAL. IT MUST NOT BE MADE PUBLIC OR COPIED. THIS DRAWING IS LOANED TO RETURN UPON DEMAND AND SHALL NOT BE USED DIRECTLY OR INDIRECTLY IN ANY WAY DETRIMENTAL TO OUR INTERESTS. OUR PRIOR SPECIFIC APPROVAL IS REQUIRED FOR EXPOSURE OF THIS DRAWING TO OTHERS FOR ANY PURPOSE.

Next Assy.  
 Dwg/Cad file no.  
**JONSERED / SALES**

Drawing Title:		JONSERED J1500RZ-96	
Project Name:		SALES LAYOUT	
Drawn by:	Date:	Size:	Part No.
SMG	9-30-20		
Approval:	Date Approved:	Scale:	unit wt.
			Eng. job no.: