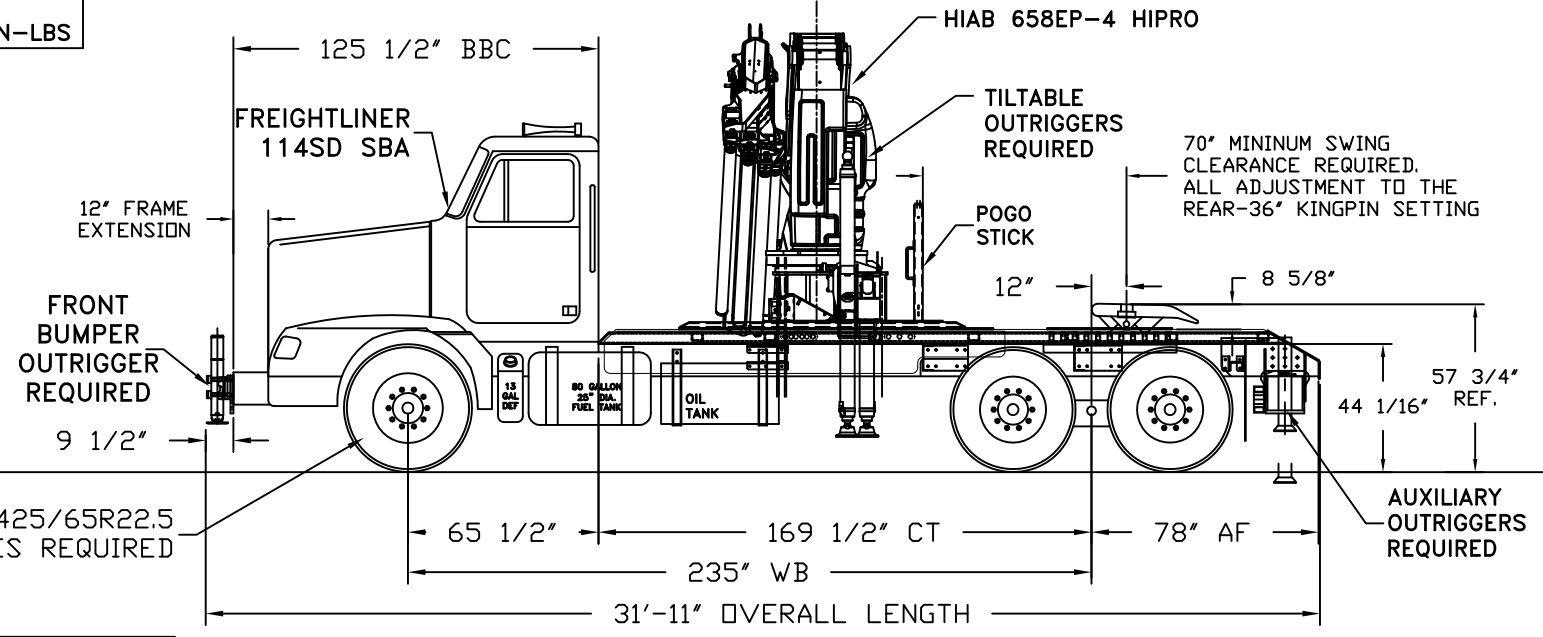


YIELD STRENGTH
120,000 P.S.I. YIELD

CRANE MINIMUM SECTION MODULUS REQUIRED
= 55.20 in.^{^3}

CRANE MINIMUM RBM/RAIL = 6,623,977 IN-LBS

CRANE MAY BE DERATED IN FRONT QUADRANTS AS MUCH AS 50%. ACTUAL DERATING SHALL BE BASED ON PHYSICAL TESTING.



425/65R22.5 TIRES REQUIRED

TRACTOR, HIAB CRANE AND ACCESSORIES WEIGHT DISTRIBUTION, NO LOAD AT FIFTH WHEEL.

FRONT AXLE LOAD	= 18,620 LBS.
TANDEM AXLE LOAD	= 23,620 LBS.
FRONT AXLE PERCENTAGE	= 44 %
TANDEM AXLE PERCENTAGE	= 56 %
GROSS VEHICLE WEIGHT	= 42,240 LBS.

TRACTOR SPECIFICATIONS

TRACTOR MODEL	= FREIGHTLINER 114SD
WHEELBASE	= 235"
CAB TO TANDEM	= 169 1/2"
AXLE-TO-FRAME	= 78"
FRONT AXLE CURB WEIGHT	= 10,610 LBS.
TANDEM AXLE CURB WEIGHT	= 8,543 LBS.
FRONT G.A.W.R.	= 20,000 LBS.
TANDEM G.A.W.R.	= 46,000 LBS.
YIELD STRENGTH OF EACH FRAME RAIL	120,000 P.S.I. YIELD
MINIMUM SECTION MODULUS REQUIRED	= 31.00 in. ^{^3}
MINIMUM RBM/RAIL = 3,720,000 IN-LBS	

NOTES:
DOUBLE FRAME RAIL REQUIRED.
FRAME RAIL MINIMUM OF 31.00 in.^{^3} SECTION MODULUS REQUIRED.
FULL SUBFRAME REQUIRED:
4" x 4" x 1/2" RECT. TUBING (ON TOP OF RAIL)
4" x 3" x 3/8" RECT. TUBING (CROSSMEMBERS)
1/2" BOTTOM PLATE REQUIRED
1" FULL WIDTH TOP PLATE REQUIRED
LARGE CRANE FISH PLATES REQUIRED.
CURB WEIGHTS WERE PROVIDED.

TRACTOR RUNS IN U.S. (RULES FOR MOST STATES)
20,000 LBS. ALLOWED ON FRONT AXLE.
34,000 LBS. ALLOWED ON TANDEM AXLE.
52,500 LBS. ALLOWED FOR GROSS WEIGHT. (22')

TRACTOR, HIAB CRANE AND ACCESSORIES WEIGHT DISTRIBUTION, MAX. LOAD AT FIFTH WHEEL.

FRONT AXLE LOAD	= 18,110 LBS.
TANDEM AXLE LOAD	= 34,000 LBS.
FRONT AXLE PERCENTAGE	= 35 %
TANDEM AXLE PERCENTAGE	= 65 %
FIFTH WHEEL LOAD	= 9,870 LBS.
GROSS VEHICLE WEIGHT	= 52,110 LBS.

NOTICE:
THIS WEIGHT DISTRIBUTION IS BASED ON ESTIMATED WEIGHTS AND IS ONLY AS ACCURATE AS THOSE ESTIMATES. ACTUAL WEIGHTS MAY CHANGE THE RESULTS OF THIS WEIGHT DISTRIBUTION.

NOTICE:
THE DRAWING PURPOSE IS TO INTRODUCE A GENERAL CONCEPT OF A PROPOSED IDEA.

Hiab USA
Hiab USA Inc.
12233 Williams Road
Perryburg, Ohio 43551
Tel (419) 482-6000
Fax (419) 482-6001

Tolerances - unless otherwise noted.
Tolerances are in inches.
2-PLACE ±.00..... .03
3-PLACE ±.000..... .015
ANGULAR ± 1°
FRACTIONAL ± 1/16"
Break all sharp corners unless otherwise specified.

THIS PROPERTY AND ALL INFORMATION THEREIN IS THE PROPERTY OF HIAB USA INC. 12233 WILLIAMS RD. PERRYBURG, OHIO 43551 AND IS CONFIDENTIAL. IT MUST NOT BE MADE PUBLIC OR COPIED. THIS DRAWING IS LOANED TO RETURN UPON DEMAND AND SHALL NOT BE USED DIRECTLY OR INDIRECTLY IN ANY WAY DETRIMENTAL TO OUR INTERESTS. OUR PRIOR SPECIFIC APPROVAL IS REQUIRED FOR EXPOSURE OF THIS DRAWING TO OTHERS FOR ANY PURPOSE.

Next Assy.
Dwg/Cad file no. 658 / SALES

Drawing Title:
HIAB 658EP-4 HIPRO

Project Name:
SALES LAYOUT

Drawn by/Date:
J W 3-1-17

Size: Part No.
Scale: unit wt.

Approval/Date Approved:
Eng. job no.: