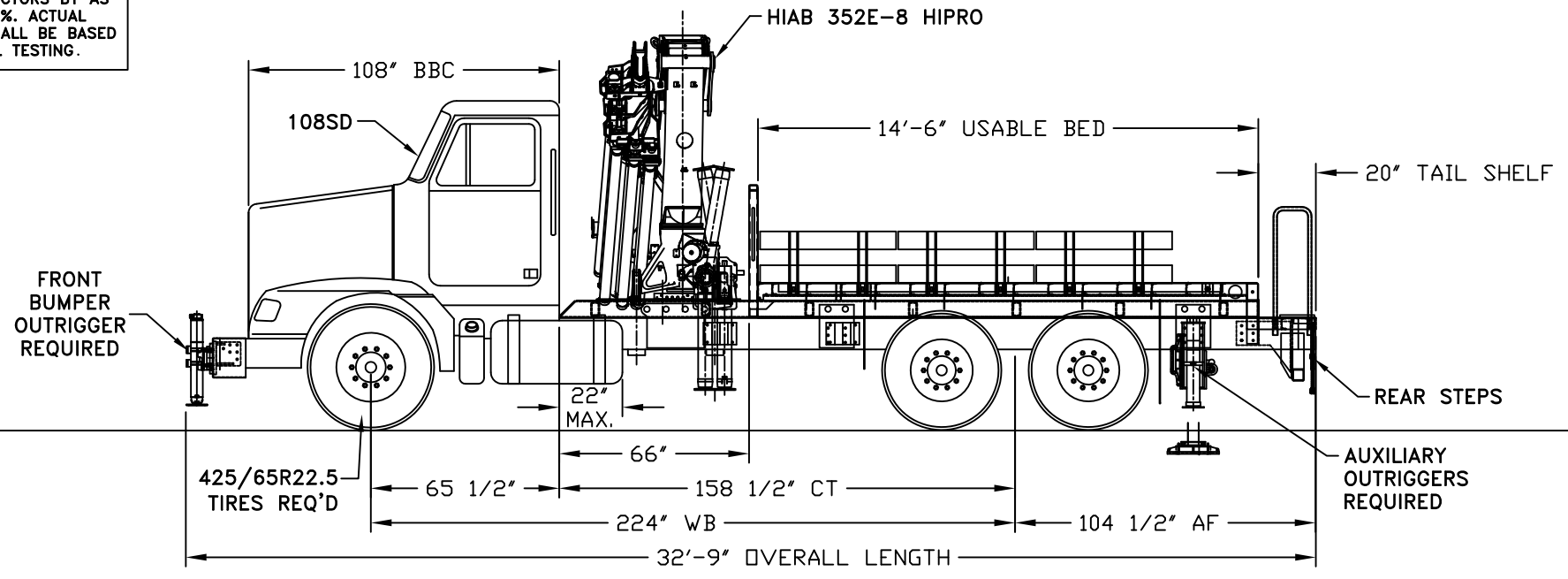


CRANE MAY BE DERATED IN FRONT SECTORS BY AS MUCH AS 30%. ACTUAL DERATING SHALL BE BASED ON PHYSICAL TESTING.



TRUCK, HIAB CRANE & ACCESSORIES WEIGHT DISTRIBUTION, NO PAYLOAD.	
TOTAL WEIGHT ON FRONT AXLE	= 15,860 LBS.
TOTAL WEIGHT ON TANDEM AXLE	= 18,670 LBS.
FRONT AXLE WT. PERCENTAGE	= 46 %
TANDEM AXLE WT. PERCENTAGE	= 54 %
GROSS VEHICLE WEIGHT	= 34,530 LBS.

TRUCK, HIAB CRANE & ACCESSORIES WEIGHT DISTRIBUTION, WITH PAYLOAD.	
TOTAL WEIGHT ON FRONT AXLE	= 16,010 LBS.
TOTAL WEIGHT ON TANDEM AXLE	= 34,960 LBS.
FRONT AXLE WT. PERCENTAGE	= 31 %
TANDEM AXLE WT. PERCENTAGE	= 69 %
GROSS VEHICLE WEIGHT	= 50,970 LBS.
WATER LEVEL PAYLOAD	= 16,440 LBS.

TRUCK SPECIFICATIONS	
TRUCK MODEL	= FREIGHTLINER 108SD
WHEELBASE	= 224"
CAB TO TANDEM	= 158 1/2"
AXLE-TO-FRAME	= 104 1/2"
FRONT AXLE CURB WEIGHT	= 8,700 LBS.
REAR AXLE CURB WEIGHT	= 7,300 LBS.
FRONT G.A.W.R.	= 20,000 LBS.
REAR G.A.W.R.	= 40,000 LBS.
YIELD STRENGTH OF EACH FRAME RAIL	MINIMUM SECTION MODULUS REQUIRED
120,000 P.S.I. YIELD	= 30.81 in. ³
MINIMUM RBM/RAIL = 3,697,782 IN-LBS	

NOTES:
 DOUBLE FRAME CHASSIS REQUIRED.
 CHASSIS FRAME RAIL MIN. OF 30.0 SECTION MODULUS REQUIRED.
 FULL LENGTH SUB-FRAME REQUIRED:
 6" x 4" x 3/8" RECT. TUBING (ON TOP OF RAIL)
 5" x 3" x 3/8" RECT. TUBING (CROSSMEMBERS EVERY 3')
 FLATBED WEIGHTS ARE ESTIMATED.
 CURB WEIGHTS WERE PROVIDED.

TRUCK RUNS IN NORTH CAROLINA.
 20,000 LBS. ALLOWED ON FRONT AXLE.
 38,000 LBS. ALLOWED ON TANDEM AXLE.
 51,500 LBS. ALLOWED FOR GROSS WEIGHT.
 MAXIMUM LENGTH CANNOT EXCEED 40'.

NOTICE:
 THIS WEIGHT DISTRIBUTION IS BASED ON ESTIMATED WEIGHTS AND IS ONLY AS ACCURATE AS THOSE ESTIMATES. ACTUAL WEIGHTS MAY CHANGE THE RESULTS OF THIS WEIGHT DISTRIBUTION.

NOTICE:
 THE DRAWING PURPOSE IS TO INTRODUCE A GENERAL CONCEPT OF A PROPOSED IDEA.

Hiab, Inc Hiab, Inc. 12233 Williams Road Perrysburg, Ohio 43551 Tel (419) 482-6000 Fax (419) 482-6001 <small>Tolerances - unless otherwise noted. Tolerances are in inches 2-PLACE ±.000..... .03 3-PLACE ±.000..... .015 ANGULAR ±1/16" FRACTIONAL ±1/16" Break all sharp corners unless otherwise specified.</small>	THIS PROPERTY AND ALL INFORMATION THEREIN IS THE PROPERTY OF HIAB, INC., 12233 WILLIAMS RD, PERRYSBURG, OHIO 43551 AND IS CONFIDENTIAL. IT MUST NOT BE MADE PUBLIC OR COPIED. THIS DRAWING IS LOANED TO RETURN UPON DEMAND AND SHALL NOT BE USED DIRECTLY OR INDIRECTLY IN ANY WAY DETRIMENTAL TO OUR INTERESTS. OUR PRIOR SPECIFIC APPROVAL IS REQUIRED FOR EXPOSURE OF THIS DRAWING TO OTHERS FOR ANY PURPOSE. Next Assy. 352 / SALES Dwg/Cad file no.	Drawing Title: HIAB 352E-8 HIPRO	
		Project Name: SALES LAYOUT	
Drawn by: CSV Date: 4-11-18	Size: unit wt. Part No.:	Scale:	Eng. Job no.: