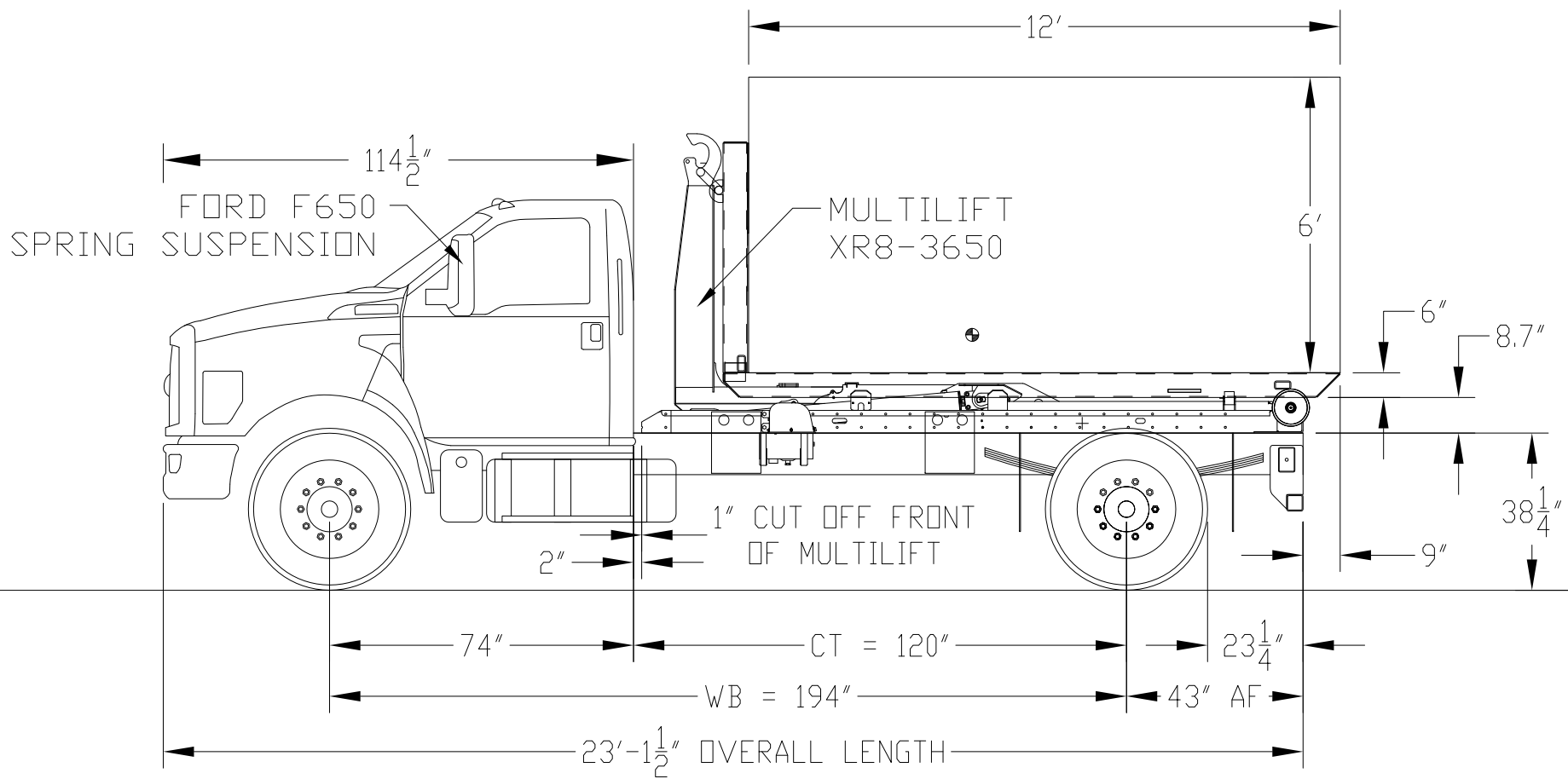
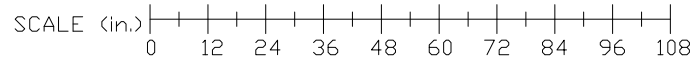


REV.	PART NO.
------	----------



EXTENDABLE BUMPER  
REQUIRED WITH AN  
OVERHANG LENGTH OVER 24"



**NOTICE:**  
THIS DRAWING WAS INTENDED FOR ILLUSTRATION PURPOSES ONLY. IT IS NOT A WEIGHT DISTRIBUTION DRAWING. NOTE THAT IT IS THE CUSTOMER'S AND/OR INSTALLER'S RESPONSIBILITY TO ENSURE THE COMPLETED PACKAGE MEETS ALL LOCAL AND FEDERAL GUIDELINES.

**Hiab, Inc.**  
Hiab, Inc.  
12233 Williams Road  
Perrysburg, Ohio 43551  
Tel (419) 482-6000  
Fax (419) 482-6001  
Tolerance - unless otherwise noted.  
Tolerances are in inches  
2-PLACE ±.00..... .03  
3-PLACE ±.000..... .015  
ANGULAR ± .....1'  
FRACTIONAL ± .....1/16"  
Break all sharp corners  
unless otherwise specified.

THIS PROPERTY AND ALL INFORMATION THEREIN IS THE PROPERTY OF Hiab, Inc., 12233 WILLIAMS RD, PERRYSBURG, OHIO 43551 AND IS CONFIDENTIAL. IT MUST NOT BE MADE PUBLIC OR COPIED. THIS DRAWING IS LOANED TO RETURN UPON DEMAND AND SHALL NOT BE USED DIRECTLY OR INDIRECTLY IN ANY WAY DETRIMENTAL TO OUR INTERESTS. OUR PRIOR SPECIFIC APPROVAL IS REQUIRED FOR EXPOSURE OF THIS DRAWING TO OTHERS FOR ANY PURPOSE.  
Next Assy.  
**MULTILIFT/SALES**  
Dwg/Cad file no.

Drawing Title:		MULTILIFT XR8-3650	
Project Name:		12' BODY	
Drawn by:	Date:	Size:	Part No.
SMG	10-7-20		
Approval:	Date Approved:	Scale:	unit wt.
			Eng. job no.: