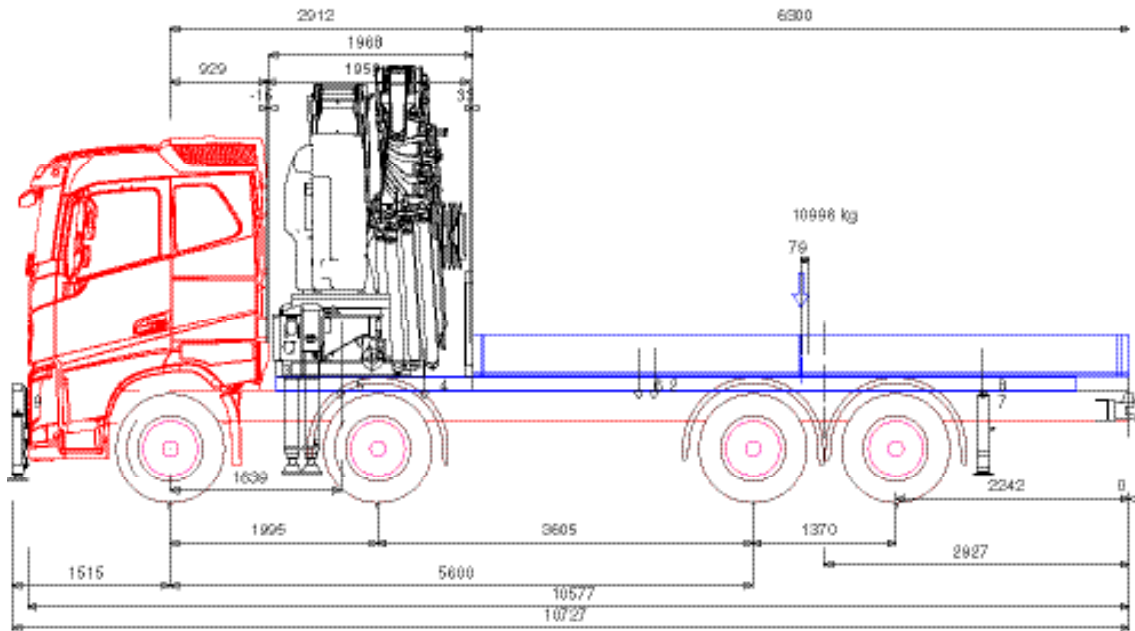


SPECIFICATION



Specification VOLVO FrameWorks demo

Crane:

Lifting capacity (ADC):	52,3 tm
Slewing angle:	Continuous
Maximum outreach:	33,6 m
Type stabilisers:	Tiltable
Stabiliser spread:	9000 mm
Oil flow:	120 liter/min
Installation space:	1753 mm
Type VSL:	VSL and VSL+

HIAB X-HiPro 638 E-8 + Jib 150X-6 + 1M

Installation:

Type subframe:	HIAB FrameWorks
Type oil tank:	HIAB FrameWorks 6XX range high built
Type pump:	Cyclone oil tank 135 Liter
Type auxiliary stabiliser beam:	Load sensing variable
	HIAB 6m

Truck

Brand and type:

Cabin:	Volvo FH540 8x2 rigid
Cabin Color:	Sleeper cab
Wheelbase:	Black
Tires front axle:	5600 mm
Tires drive axle:	385 / 55 R22,5
Tires rear steer axle:	315 / 70 R22,5
Front axle capacity:	315 / 70 R22,5
Rear axle capacity:	18 ton (9+9)
Gross vehicle weight:	19 ton (11,5 + 7,5)
	32 ton