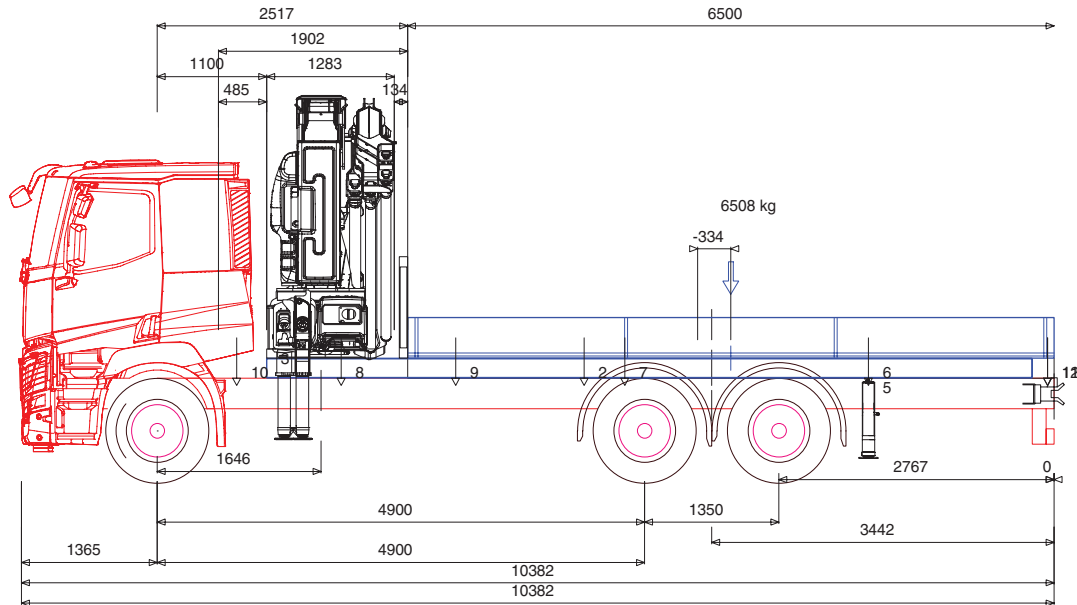


# SPECIFICATION



## Specification Renault FrameWorks demo

### Crane:

Lifting capacity (ADC):  
Slewing angle:  
Maximum outreach:  
Type stabilisers:  
Stabiliser spread:  
Oil flow:  
Installation space:  
Type VSL:

### HIAB X-HiPro 558 EP-5

55,0 tm  
Continuous  
14,5 m  
Tilttable  
8000 mm  
120 liter/min  
1283 mm  
VSL and VSL+

### Installation:

Type subframe:  
Type oil tank:  
Type pump:  
Type auxiliary stabiliser beam:

### HIAB FrameWorks

HIAB FrameWorks 5XX range high built  
Cyclone oil tank 135 Liter  
Load sensing variable  
HIAB 6m

### Truck

#### Brand and type:

Cabin:  
Cabin Color:  
Wheelbase:  
Tires front axle:  
Tires drive axle:  
Tires rear steer axle:  
Front axle capacity:  
Rear axle capacity:  
Gross vehicle weight:

### Renault C480 6x2 rigid

Sleeper cab  
Black  
4900 mm  
385 / 65 R22,5  
315 / 80 R22,5  
385 / 65 R22,5  
9 ton  
19 ton (11,5 + 7,5)  
26 ton