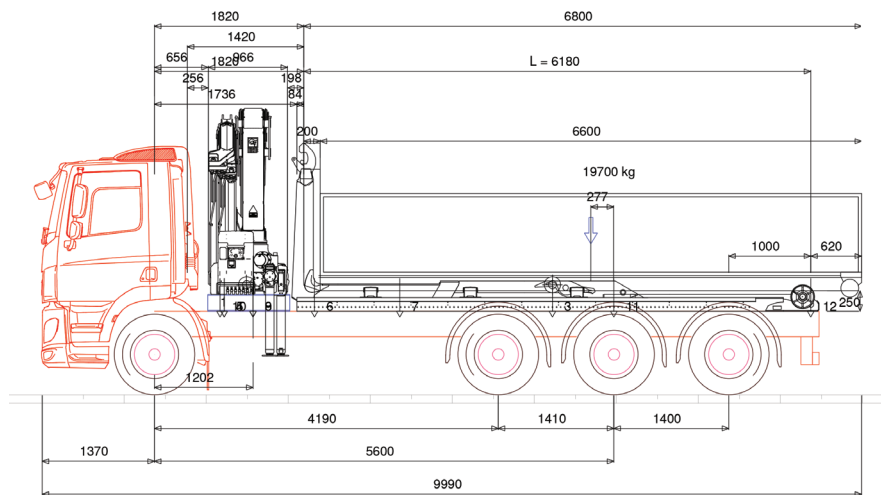


SPECIFICATION



Specification DAF FrameWorks demo

Crane: **HIAB X-HiPro 232E-3**
 Lifting capacity (ADC) 20,7 tm
 Slewing angle: 415°
 Maximum outreach: 10,6 m
 Type stabilisers: Fixed
 Stabiliser spread: 5500 mm
 Oil flow: 120 liter
 Installation space: 977 mm
 Type VSL: VSL3
 Extra functions: Extension real outside
 CTC
 SAF
 Platform

Hooklift: **Multilift**
 Type: Multilift XR26S
 Mounting height: 270 mm
 System length: 6100 mm
 Hydraulic body locking: Inside in front, outside in back
 Installation kit: DAF
 Additional functions: Friction relief
 Automatic sequence control
 Fast speed
 Fast tipping
 Warning buzzer, mounted outside cabin
 Hour meter
 Under run bar: Electrical 800 mm

Installation:
 Type subframe: HIAB FrameWorks Multibeams
 Type oil tank: Chassis tank 200 L aluminium
 Type pump: Load sensing variable

Truck
Brand and type: **DAF CF400 8x2 FAQ**
 Cabin: Day cab
 Color cabin: Black
 Wheelbase: 5600 mm
 Tires front axle: 385 / 65 R22,5
 Tires pusher axle: 385 / 65 R22,5
 Tires drive axle: 315 / 80 R22,5
 Tires rear steer axle: 385 / 65 R22,5
 Front axle capacity: 9 ton
 Rear axle capacity: 27 ton (8 + 11,5 + 7,5)
 Gross vehicle weight: 32 ton