



MORE YOU THAN EVER

HIAB X-HIPRO LIGHT CRANES



MAKE THE MOST OF

The more your crane can do, the more you can do. And the better it feels to use, the better you feel when using it. That's why HIAB light cranes are so right. They make it seem like there's more of you to go round.

More you than ever.

Hands and mind

Each of our light cranes is carefully designed to help you do more jobs with less effort. All that you need is right at your fingertips – no matter whether you choose manual or remote control. Flawless response and a full range of accessories ensure that your HIAB light crane can do anything you put your mind to.

This brochure focuses on remote control with the HIAB HiPro control system.

New options

Many HIAB light crane models are equipped with smart, new innovations that offer even higher levels of safety and ease of use. You can make operation simpler and reduce risk of damage during the folding and unfolding of the crane with semi-automatic folding (SAF), as well as gain faster, smoother operation with Crane Tip Control (CTC) and the Load Stability System (LSS-V).*

HiConnect

It's easier than ever to get the most out of your HIAB light crane. HIAB HiConnect gives you access to real-time data to improve performance and avoid un-necessary downtime. You stay in constant contact with your crane – every lift, every movement, everywhere.*



YOURSELF



Heart and soul

Nothing else feels like a HIAB, because nothing else is built or supported like a HIAB. You get a light crane to depend on, from the quality exterior and hydraulics to a two-year warranty and unbeatable service access.

Not only will you love working with your crane today, you can also count on a high residual value tomorrow.

Longer lifetime

HIAB light cranes are built to perform – today and tomorrow. You have assurance of truly long-term performance thanks to lasting protection from the elements with Hiab's state-of-the-art nDurance coating as well as a two-year standard warranty that applies to all components.

Extended usage

The versatility of HIAB light cranes let you do more than you thought possible. Enhance your crane with any number of our wide range of accessories to really make the most of your equipment – and make the most of yourself.

XS Drive controller

With the ergonomic and easy-to-use Hiab XS Drive remote control, you are positioned at the best possible location when operating the crane. Your work becomes more efficient and more comfortable, not to mention even safer, so you can truly make the most of yourself.*

* To learn more about the features available for your HIAB light crane, contact your local Hiab distributor.

BUILT TO PERFORM

HIAB light cranes combine strength and reliability with unbeatable ease of use. With flawless control and smart features to increase safety and speed up your work, they make productivity simple.

Lift more, worry less

Made with durable high-tensile steel, HIAB light cranes combine low weight with the capacity to deliver heavy loads. Their soft-sealed couplings withstand vibrations and high pressures to minimise the risk of damage. In addition, their unique SPACE system ensures higher load cycling speed, which lets you handle more payload on the same chassis.

Always in perfect control

Control is what really makes the difference. HIAB light cranes give you the industry's best, providing a smooth response with robust valve technology.

With HIAB HiPro, you get the best of the best, with top versatility and precision for the very highest productivity. You steer your crane from the best possible vantage point, and the high flow of oil creates ultra-quick and ultra-smooth response with support for a large number of simultaneous movements.

Efficiency in every respect

The precise control and fully optimised hydraulics and valves, together with the crane's SPACE system, ensure high working efficiency. But our light cranes are efficient in other ways as well. They now feature an external display that makes for better overview and more efficient troubleshooting.

Cranes to trust

HIAB cranes set the standard, which is why they come with the market's only two-year warranty, as well as a five-year warranty for structural parts. Our light cranes leave nothing to chance, especially when using remote control. Crane Tip Control helps you operate several booms functions with just one lever of the remote controller, while the Load Stability System stabilises the load in vertical lifts. The semi-automatic folding and unfolding of the crane further prevents any actions that might damage the crane itself.



Technical data	HIAB X-HIPRO 122
Lifting capacity (kNm)	115
Lifting capacity (tm)	11.7
Outreach, hydraulic	5.5 – 14.6
Installation space required, rotation area not included (mm)	810 – 880
Height in folded position (mm)	2170
Weight in standard version, without stabilisers (kg)	1350 – 1820
Weight, stabiliser equipment (kg)	156 – 300

Features	
nDurance	Standard
Pump Flow Distribution (PFD)	Standard
Crane Tip Control (CTC)	Option
Load Stability System Vertical (LSS-V)	Option
Load Stability System Horizontal (LSS-H)	Option
Base-mounted oil tank	Option
E-link	Standard
S-Boom	Option
Automatic Damping of Oil (ADO)	Standard
Automatic Duty Control (ADC)	Standard
Automatic Speed Control (ASC)	Standard
SAF (Semi Automatic Folding)	Option
XSDrive remote control	Standard
External Display	Option
Load holding valves	Standard

SO MUCH MORE

HIAB light cranes have everything you expect from a top-quality loader crane – and then some. As a result, they let you get more done for the effort you put in.

HIAB HiPro keeps you in control with pinpoint precision

HIAB HiPro is the most advanced remote control system in the industry. With a high flow of oil that allows many simultaneous movements, it ensures the highest speed and precision – for the greatest productivity.

HIAB HiPro has Automatic Speed Control (ASC), which increases capacity without stopping or any action from the operator. Pump Flow Distribution (PFD) distributes the oil evenly in proportion to control movements, ensuring super smooth operation without sudden load accelerations.



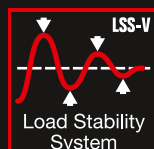
Crane Tip Control (CTC)

CTC allows even beginning operators to perform challenging lifts – quickly and safely. Using HIAB's proprietary coordinate control technology, the computer calculates the optimum path. All the operator needs to do is point the load, while the crane works out the exact boom movements for a straight line from A to B.



Load Stability System (LSS-V)

On cranes with remote control, the Load Stability System for vertical movements (LSS-V) automatically compensates for excessive lever actions, providing a smooth return to where lever movement stopped. This makes crane operation faster and smoother. It helps protect the cargo, the vehicle and the work environment around the crane against potential damage.

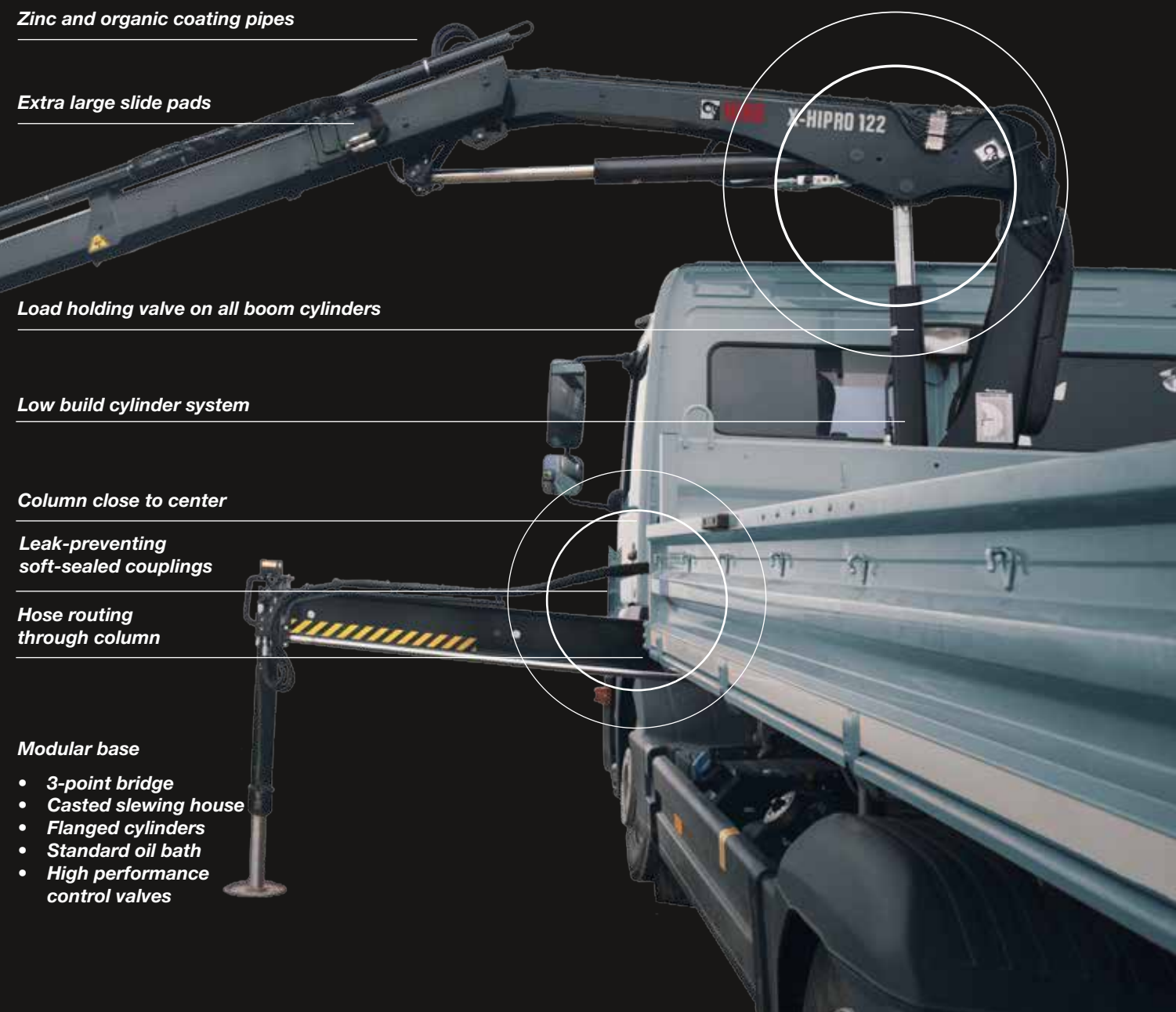


nDurance

HIAB nDurance protects the crane from the elements with the best in surface protection. Technologically advanced and environmentally sound, this high-tech painting system first shields the crane's parts with an ultra-thin nanoceramic layer that prevents corrosion. Afterwards they receive a lacquer polymer e-coating and a durable powder coating, creating stunning good looks that will last the crane's lifetime.

nDurance





Zinc and organic coating pipes

Extra large slide pads

Load holding valve on all boom cylinders

Low build cylinder system

Column close to center

Leak-preventing soft-sealed couplings

Hose routing through column

Modular base

- 3-point bridge
- Casted slewing house
- Flanged cylinders
- Standard oil bath
- High performance control valves

The HIAB two-year warranty

HIAB light cranes are built like no other. And they come with a promise like no other: a two-year standard warranty on all cranes, as well as up to five year warranty on steel structure.

Every HIAB crane is made with the strongest materials and a quality of workmanship no other supplier can match. And because we build them with care, we stand behind them with confidence. Not only does our warranty cover the components you expect, it also covers the following wear parts:

- Painting
- Seals (both internal and external)
- Flexible hoses



ACCESSORIES THAT ENH

Extend the versatility of your HIAB light crane by adding one or more tools from the wide range of HIAB accessories. Manufactured to the highest standards, they enhance functionality and performance.

Pallet fork

Handling loads with a pallet fork has a number of advantages. Since the load is palletised and lifted from underneath, it is possible to lift many different types of loads – including soft and flexible loads as well as solid ones. A pallet fork is also less expensive than the main alternative, a brick grab.



Hydraulic hook

The Hydraulic hook is designed for picking up a Pallet fork from the truck body. It is robust, but small in dimensions and very easy to operate. The driver no longer has to climb up and down on the truck for attaching and de-attaching his Pallet fork, minimizing the risk of injuries and make the work more efficient. The hook can also be used for attaching and detaching slings in remote positions.



Brick grab

There is a lot to gain from using a brick grab, including speedier handling of your loads. The load does not have to be palletised, and it can be handled even in awkward positions where space is limited. HIAB brick grabs are extremely versatile and made to withstand heavy-duty work – all day, every day.



Bucket

Many different buckets are available for your HIAB loader crane. Your choice depends on what your business – current, and future – is focused on. After all, new business ideas and opportunities do present themselves from time to time. Bucket solutions vary from narrow width digging buckets – suitable when deploying cables, through midsize open buckets suitable for lifting branches as well as digging, and all the way up to large volume scooping buckets, perfect when it comes to shifting large amounts of material.



Multi brush

HIAB Multi Brush is a versatile tool for removing snow from roofs, or sand and gravel from the ground. Easy to operate in a safe way, this tool can save many backs and many hours of manual labour.



ANCE YOUR EQUIPMENT



When choosing Hiab Selected Accessories, you can be sure to get the most out of your equipment. Hiab Selected Accessories live up to the market-leading Quality and Performance standards set by Hiab.



EASY TO MOUNT, EASY TO SERVICE

When you choose a HIAB light crane, you choose a crane that will stay with you over the long haul. Hiab will be with you too, providing world-class service and support. Our commitment to quality and reliability goes beyond the crane itself to include parts, services and preventive maintenance.

Thinking ahead

HIAB light cranes are optimally built for easy mounting on the truck chassis. The whole installation, including any necessary chassis reinforcements, is designed for the lowest possible overall weight.

To make installing your crane simple and quick, we provide complete documentation including technical data, installation instructions and software for calculating axle loading and stability.

Your time is valuable

HIAB light cranes are designed for easier everyday maintenance. Key parts and components that require regular attention are located where you would expect them, and where they are easy to access. A good example is the integrated oil tank in the crane base, which can be installed without rearranging truck components and is quicker and simpler to reach.

When more is required, our fully trained and accredited service personnel know all there is to know about your HIAB crane. Above all, they know the importance of servicing or repairing it as quickly as possible. With the absolute minimum downtime, they get your product back in business and making a profit.

From parts to people

Original spare and wear parts of the highest quality ensure that your HIAB light crane will always be a HIAB product. In other words, they give you the same functionality, performance and safety you have chosen from the start.

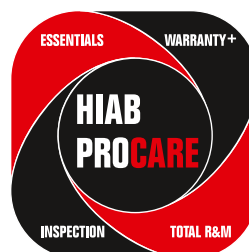
With the largest service network in the industry, you are never far away from our skills and expertise. Like our cranes, our people work harder and go further for you.

Hiab ProCare™ for planned performance

In every way, our aim is to keep you moving so you can deliver as promised. With Hiab ProCare™*, we can take on the burden of inspections, planned maintenance, scheduling and more, giving you the best assurance to produce as planned. Simply choose the level of service agreement that makes sense for your business:

Hiab ProCare™ Inspection makes it simpler and easier to comply with inspection regulations for your crane. With the thorough yet efficient scheduled inspections, it is possible to prevent a number of unpleasant surprises and you are back on the road fast.

Hiab ProCare™ Essentials is the best addition to your new crane, including the preventive maintenance programme and scheduled inspections as recommended by Hiab. Put your maintenance planning in our hands and we keep your crane operating with the original high performance to avoid un-necessary cost and downtime.



*Check the availability of service agreements with your local Hiab distributor

hiab.com



Sales and Service network

Hiab's global network offers extensive services that ensure the continuous, reliable and sustainable performance of our equipment. We have the most comprehensive distribution network in the industry, supporting all Hiab's customers – through more than 1500 sales and service outlets. This service network guarantees that we are always close to you, ready to give advice on applications and provide service and spare parts.

BUILT TO PERFORM

Hiab is the world's leading provider of on-road load-handling equipment, intelligent services and digitally connected solutions. Hiab's offering encompasses class-leading load handling equipment including HIAB loader cranes, LOGLIFT and JONSERED forestry and recycling cranes, MOFFETT truck-mounted forklifts, MULTILIFT demountables, and tail lifts under ZEPRO, DEL, and WALTCO brands. As the industry pioneer, our commitment is to increase efficiency in our customers' businesses and to shape the future of intelligent load handling.

hiab.com

Hiab is part of Cargotec Corporation.

cargotec.com



PB-LIGHTCRANESHIPRO-EN-EU_171 006

To learn more, visit hiab.com



hiab.com

